

Kedleston Seat BX17 4092



Standard Unit Dimensions:

Length: 1800mm
 Width: 350mm
 Height: 750mm
 Root Length: 300mm
 Weight: 75kg

Colours/Finishes:



Treated Softwood



Hardwood Iroko

The colours shown are a guide only.
 Please check a colour chart to see the actual colour.

Product Information

Suited to natural green spaces and contemporary external works projects, the Kedleston timber bench combines contemporary design with natural timber construction. This seat has a back rest which allows for the addition of a brass memorial plaque which can be engraved to meet your requirements. This bench allows for bespoke specification, available on request.

Features

- This unit is root fixed as standard
- Constructed using treated softwood as standard
- Perfect for any modern external works package.

Materials Used

- Treated Softwood

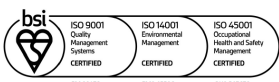
Other Materials Available

- Hardwood Iroko

Options

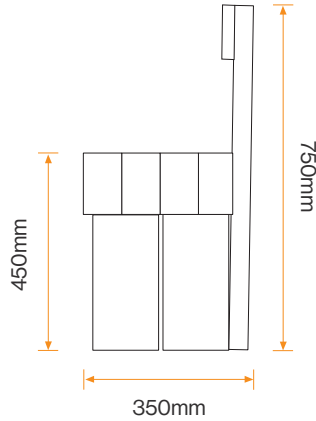
- Memorial plaque with engraved text to meet your requirements
- Bespoke specification available
- Root fixed or base plated

Broxap Limited, Rowhurst Industrial Estate, Chesterton, Newcastle-under-Lyme, Staffordshire, ST5 6BD T: 01782 564411 E: info@broxap.com W: www.broxap.com



Kedleston Seat BX17 4092

Diagram



Installation

Root/Submerged Fixing

L-Bracket Surface Fixing



Standard Unit Dimensions:

- Length: 1800mm
- Width: 350mm
- Height: 750mm
- Root Length: 300mm
- Weight: 75kg

Colours/Finishes:



Treated Softwood



Hardwood Iroko

The colours shown are a guide only. Please check a colour chart to see the actual colour.

Broxap Limited, Rowhurst Industrial Estate, Chesterton, Newcastle-under-Lyme, Staffordshire, ST5 6BD T: 01782 564411 E: info@broxap.com W: www.broxap.com

