



Standard Unit Dimensions:

Width: 1250mm
Height: 800mm

Recommended spacing between cycle stands:

800mm

Colours/Finishes:

Galvanised Only	RAL 9006 White Aluminium	RAL 7016 Anthracite Grey
BS 4800 10 A 07 Nimbus Grey	RAL 3020 Traffic Red	RAL 9005 Jet Black
BS 4800 14 C 39 Holly Green	RAL 1023 Traffic Yellow	BS 4800 00 A 05 Goose Grey
RAL 5015 Mid Blue	RAL 5013 Dark Blue	RAL 9016 Traffic White

The colours shown are a guide only.
Please check a colour chart to see the actual colour.

Product Information

The Penny Farthing Cycle Stand is a contemporary, tubular cycle stand specifically designed to be attractive yet functional.

Features

- Hot dipped galvanised to BS EN ISO 1461:2009
- Contemporary, tubular cycle stand
- Available root fixed or baseplated
- Designed to be attractive yet functional

Materials Used

- Framework - Mild Steel

Finish Options

- Galvanised to BS EN ISO 1461:2009
- Galvanised to BS EN ISO 1461:2009 & Polyester Powder Coated
- Stainless Steel Grade 304
- Stainless Steel Grade 316

Penny Farthing Cycle Stand BXMW/PF

Guarantees, Warranties, Design-Life and Life-Expectancies

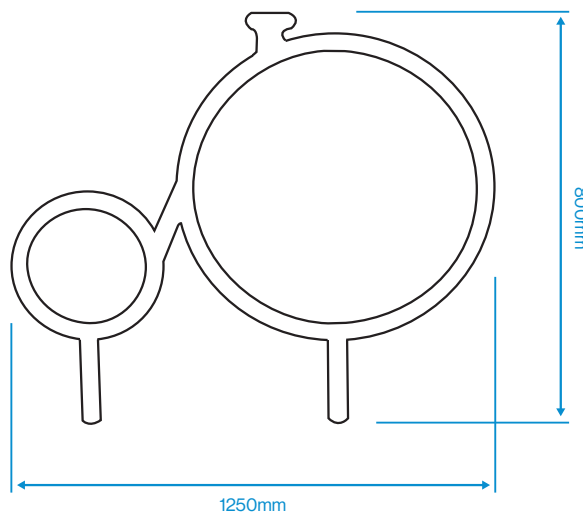
- 34 year (min) life expectancy for Hot Dip Galvanizing
- 8-10 year life expectancy on standard powder coatings
- 10-15 year life expectancy on Duplex (Zinc Coated) powder coatings
- 12 months' warranty* on parts & labour

*Maintenance and other qualifying criteria apply

Options

- Available in 40mm dia. (£POA)
- Available in stainless steel (£POA)
- Polyester powder coating to RAL and BS colours

Diagram





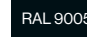

Standard Unit Dimensions:

Width: 1250mm
Height: 800mm

Recommended spacing between cycle stands:

800mm

Colours/Finishes:

		
Galvanised Only	White Aluminium	Anthracite Grey
		
Nimbus Grey	Traffic Red	Jet Black
		
Holly Green	Traffic Yellow	Goose Grey
		
Mid Blue	Dark Blue	Traffic White

The colours shown are a guide only.
Please check a colour chart to see the actual colour.

Broxap Limited, Rowhurst Industrial Estate, Chesterton, Newcastle-under-Lyme, Staffordshire, ST5 6BD T: 01782 564411 E: info@broxap.com W: www.broxap.com



ISO 9001
Quality Management Systems
CERTIFIED

ISO 14001
Environmental Management
CERTIFIED

ISO 45001
Occupational Health and Safety Management
CERTIFIED

