

Kite BXTS/KIT



Standard Unit Dimensions:

Height to canopy: 2439mm

Overall Height: 3750mm

Lengths & Widths:

4000mm x 4000mm

5000mm x 5000mm

6000mm x 6000mm

7000mm x 5000mm

7000mm x 7000mm

Framework Colours/Finishes:

Galvanised Only	RAL 9006 White Aluminium	RAL 7016 Anthracite Grey
BS 4800 10 A 07 Nimbus Grey	RAL 3020 Traffic Red	RAL 9005 Jet Black
BS 4800 14 C 39 Holly Green	RAL 1023 Traffic Yellow	BS 4800 00 A 05 Goose Grey
RAL 5015 Mid Blue	RAL 5013 Dark Blue	RAL 9016 Traffic White

The colours shown are a guide only. Please check a colour chart to see the actual colour.

Product Information

The Kite Tensile Structure provides a contemporary covering suited to any external space. The white canopy boasts being both 100% waterproof as well as providing 100% UV protection, thus allowing it to be suitable year round. The structure is suited to outdoor dining spaces, play areas and more. Framework is available in a range of colours, canopy is white as standard.

Features

- PVC Fabric white as standard
- Poles and frames galvanized
- Hot dipped galvanized steel fixings
- 100% waterproof fabric
- 100% UV protection

Materials Used

- Made from heavy-duty S355 steel section
- Hot dipped galvanized to BS EN ISO 1461:2009
- Waterproof PVC Membrane

Finish Options (Framework)

- Galvanised to BS EN ISO 1461:2009
- Galvanised to BS EN ISO 1461:2009 & Polyester Powder Coated

Broxap Limited, Rowhurst Industrial Estate, Chesterton, Newcastle-under-Lyme, Staffordshire, ST5 6BD T: 01782 564411 E: info@broxap.com W: www.broxap.com



ISO 9001
Quality Management
Systems
CERTIFIED

ISO 14001
Environmental
Management
CERTIFIED

ISO 45001
Occupational
Health and Safety
Management
CERTIFIED



Kite BXTS/KIT



Design Standards

- All structures are installed to tolerances in NSSS 7TH addition – Accuracy in Building, by CRB checked, professional installation teams
- BS EN 1993-1-1:2005 Eurocode 3 – Design of steel structures
- BS EN 1991-1-3:2003 Eurocode 1 – Snow Loads

Fire Resistance

Fabric conforms to Euro class EN13501-1

Guarantees, Warranties, Design-Life and Life-Expectancies

- 25 year structural guarantee*
- 34 year (min) life expectancy for Hot Dip Galvanizing
- 8-10 year life expectancy on standard powder coatings
- 10-15 year life expectancy on Duplex (Zinc Coated) powder coatings
- 10 years' warranty* Ferrari 832
- 12 months' warranty* on parts & labour

*Maintenance and other qualifying criteria apply

Options

- Post protectors
- Powder coated framework to any standard RAL colour
- Plastic guttering
- Full installation service

Standard Unit Dimensions:

Height to canopy: 2439mm

Overall Height: 3750mm

Lengths & Widths:

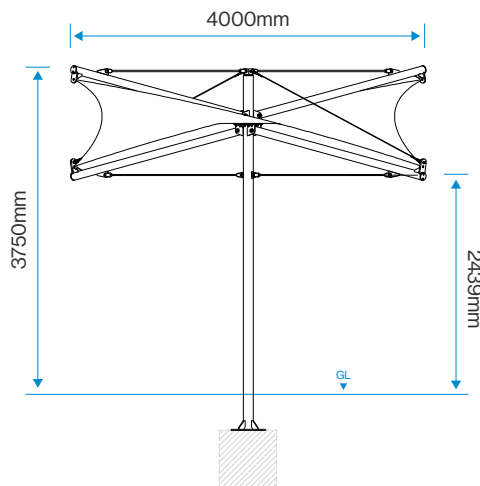
4000mm x 4000mm
 5000mm x 5000mm
 6000mm x 6000mm
 7000mm x 5000mm
 7000mm x 7000mm

Framework Colours/Finishes:

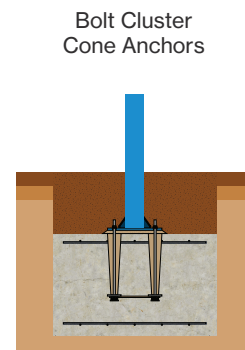
Galvanised Only	RAL 9006 White Aluminium	RAL 7016 Anthracite Grey
BS 4800 10 A 07 Nimbus Grey	RAL 3020 Traffic Red	RAL 9005 Jet Black
BS 4800 14 C 39 Holly Green	RAL 1023 Traffic Yellow	BS 4800 00 A 05 Goose Grey
RAL 5015 Mid Blue	RAL 5013 Dark Blue	RAL 9016 Traffic White

The colours shown are a guide only.
Please check a colour chart to see the actual colour.

Diagram



Installation



Broxap Limited, Rowhurst Industrial Estate, Chesterton, Newcastle-under-Lyme, Staffordshire, ST5 6BD T: 01782 564411 E: info@broxap.com W: www.broxap.com



ISO 9001
Quality Management Systems
CERTIFIED

ISO 14001
Environmental Management
CERTIFIED

ISO 45001
Occupational Health and Safety Management
CERTIFIED

