

Spherical Cast Iron Bollard BX 1502



Standard Unit Dimensions:

Diameter: 400mm
Height: 400mm
Root Length: 180mm
Weight: 43kg

Colours/Finishes:

RAL 9005 Jet Black	RAL 9016 Traffic White	RAL 7016 Anthracite Grey
RAL 5013 Cobalt Blue	BS 4800 20 C 40 Duchess Blue	BS 4800 00 A 05 Goose Grey
RAL 6005 Green	BS 4800 14 C 39 Holly Green	BS 4800 18 B 25 Admiral Grey
RAL 5015 Sky Blue	RAL 3020 Traffic Red	RAL 1023 Traffic Yellow

The colours shown are a guide only.
Please check a colour chart to see the actual colour.

Product Information

Root fixed cast iron spherical bollard. Ideal for themed locations, can be used as a perimeter marker or for the prevention of pavement parking.

Features

- Spherical cast iron bollard
- Ideal for use in themed locations
- Use to prevent vehicle parking
- Root fixed

Materials Used

- Cast Iron

Options

- Price per single root fixed cast iron bollard painted in a single Broxap colour (black as standard). All options are available at an extra cost.

Broxap Limited, Rowhurst Industrial Estate, Chesterton, Newcastle-under-Lyme, Staffordshire, ST5 6BD T: 01782 564411 E: info@broxap.com W: www.broxap.com



ISO 9001
Quality Management Systems
CERTIFIED

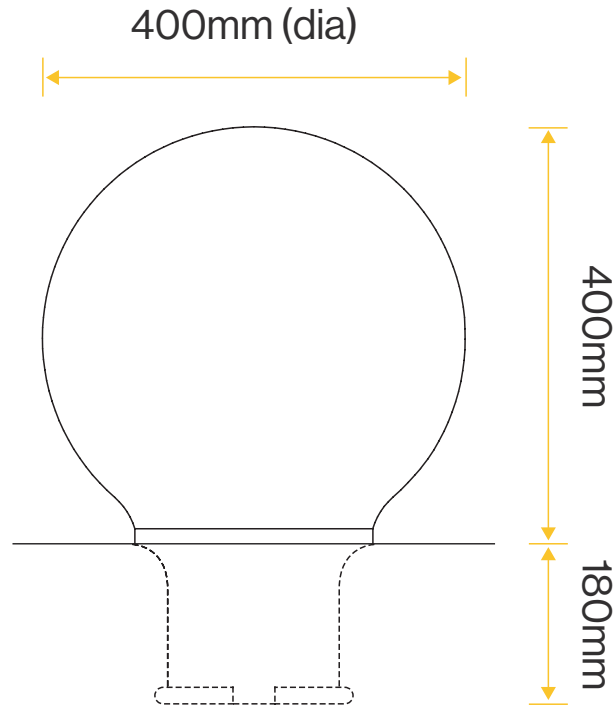
ISO 14001
Environmental Management
CERTIFIED

ISO 45001
Occupational Health and Safety Management
CERTIFIED



Spherical Cast Iron Bollard BX 1502

Diagram



Standard Unit Dimensions:

Diameter: 400mm
Height: 400mm
Root Length: 180mm
Weight: 43kg

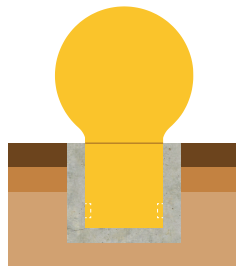
Colours/Finishes:

RAL 9005 Jet Black	RAL 9016 Traffic White	RAL 7016 Anthracite Grey
RAL 5013 Cobalt Blue	BS 4800 20 C 40 Duchess Blue	BS 4800 00 A 05 Goose Grey
RAL 6005 Green	BS 4800 14 C 39 Holly Green	BS 4800 18 B 25 Admiral Grey
RAL 5015 Sky Blue	RAL 3020 Traffic Red	RAL 1023 Traffic Yellow

The colours shown are a guide only.
Please check a colour chart to see the actual colour.

Installation

Standard Root Fixing



Broxap Limited, Rowhurst Industrial Estate, Chesterton, Newcastle-under-Lyme, Staffordshire, ST5 6BD T: 01782 564411 E: info@broxap.com W: www.broxap.com



ISO 9001
Quality Management Systems
CERTIFIED

ISO 14001
Environmental Management
CERTIFIED

ISO 45001
Occupational Health and Safety Management
CERTIFIED

