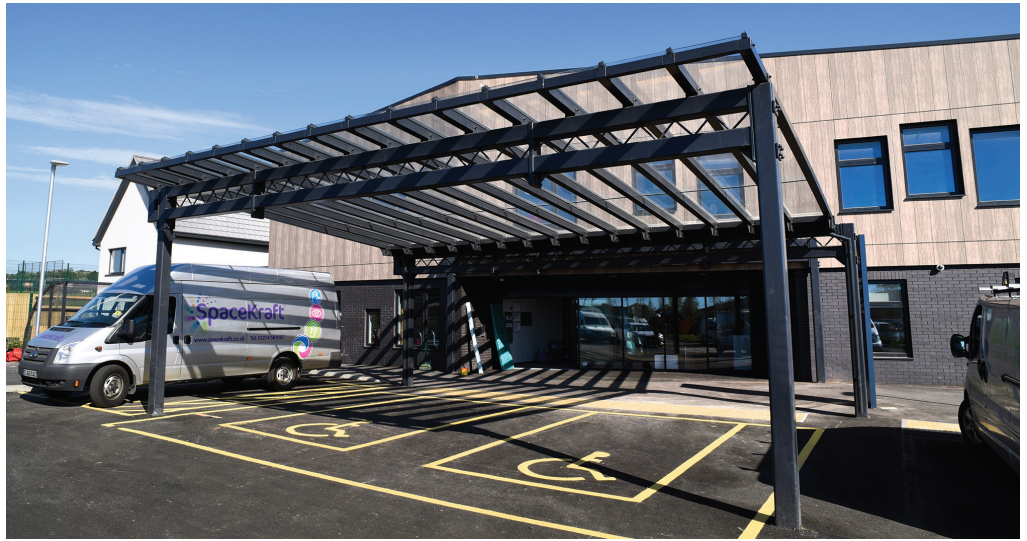


Beacon Gullwing Pick-Up & Drop-Off Canopy

BXDB/BEA/GUL-PUDO



Standard Unit Dimensions:

Made to Measure

Framework Colours/Finishes:

Galvanised Only	RAL 9006 White Aluminium	RAL 7016 Anthracite Grey
BS 4800 10 A 07 Nimbus Grey	RAL 3020 Traffic Red	RAL 9005 Jet Black
BS 4800 14 C 39 Holly Green	RAL 1023 Traffic Yellow	BS 4800 00 A 05 Goose Grey
RAL 5015 Mid Blue	RAL 5013 Dark Blue	RAL 9016 Traffic White

The colours shown are a guide only. Please check a colour chart to see the actual colour.

Product Information

The duopitch design of the Beacon Pick-Up and Drop-Off Canopy allows for a canopied area for both vehicle and passengers as required. Providing a direct link from vehicle to location, the Beacon Gullwing Pick-Up and Drop-Off Canopy is highly practical and suited to a range of settings.

Features

- Gullwing design
- Available in many sizes / orientations
- Modular extension to any length
- Multiwall Polycarbonate roof cladding
- Submerged fixing
- Robust, tough construction
- Framework galvanised to BS EN ISO 1461:2022
- Steel fixings galvanised to BS EN ISO 1461:2022
- Aluminium guttering & downpipes

Materials Used

- Framework - Mild steel
- Cladding - 16mm structured multiwall polycarbonate
- Glazing Clamps - Aluminium

Finish Options

- Hot dip galvanised to BS EN ISO 1461:2022
- Galvanised to BS EN ISO 1461:2022 & Polyester Powder Coated

Broxap Limited, Rowhurst Industrial Estate, Chesterton, Newcastle-under-Lyme, Staffordshire, ST5 6BD T: 01782 564411 E: info@broxap.com W: www.broxap.com



ISO 9001
Quality Management Systems
CERTIFIED

ISO 14001
Environmental Management
CERTIFIED

ISO 45001
Occupational Health and Safety Management
CERTIFIED



Beacon Gullwing Pick-Up & Drop-Off Canopy

BXDB/BEA/GUL-PUDO



Weather Resistance

- BS EN 1991-1-3:2003 Eurocode 1 - snow loads
- BS EN 1991-1-4:2005 Eurocode 1 - wind loads
- Cladding is UV Stabilised

Fire Resistance

Cladding is fire tested to '1Y' for BS 476

Guarantees, Warranties, Design-Life and Life-Expectancies

- 25 year structural guarantee*
- 34 year (min) life expectancy for Hot Dip Galvanizing
- 8-10 year life expectancy on standard powder coatings
- 10-15 year life expectancy on Duplex (Zinc Coated) powder coatings
- 10 years' manufacturers guarantees* on cladding material(s)
- 12 months' warranty* on parts & labour

*Maintenance and other qualifying criteria apply

Options

- Framework powder coated to any standard RAL colour
- Opal or Bronze roof Cladding
- Metal profile, trapezoidal roof cladding
- Glazed roof cladding
- Infill panels in PETg UV
- Glazed Infill panels
- LED lighting or solar lighting
- Protective Post Pads
- Full installation service

Standard Unit Dimensions:

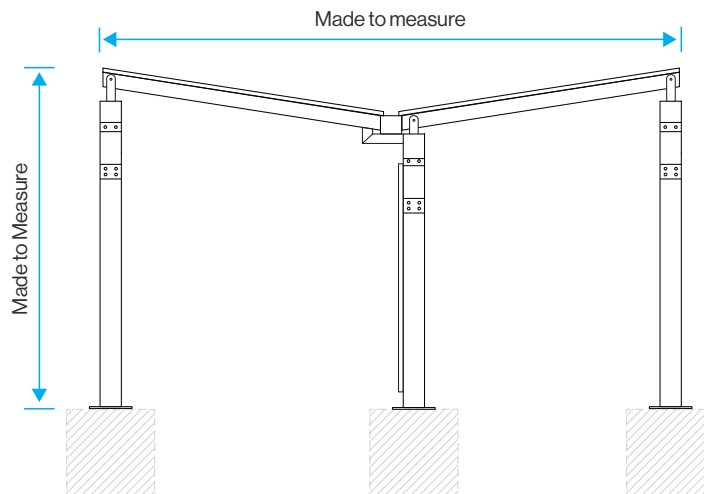
Made to Measure

Framework Colours/Finishes:

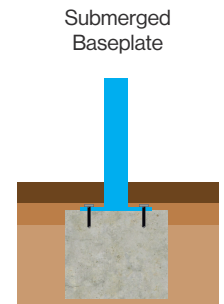
Galvanised Only	RAL 9006 White Aluminium	RAL 7016 Anthracite Grey
BS 4800 10 A 07 Nimbus Grey	RAL 3020 Traffic Red	RAL 9005 Jet Black
BS 4800 14 C 39 Holly Green	RAL 1023 Traffic Yellow	BS 4800 00 A 05 Goose Grey
RAL 5015 Mid Blue	RAL 5013 Dark Blue	RAL 9016 Traffic White

The colours shown are a guide only. Please check a colour chart to see the actual colour.

Diagram



Installation



Broxap Limited, Rowhurst Industrial Estate, Chesterton, Newcastle-under-Lyme, Staffordshire, ST5 6BD T: 01782 564411 E: info@broxap.com W: www.broxap.com



ISO 9001
Quality Management Systems
CERTIFIED

ISO 14001
Environmental Management
CERTIFIED

ISO 45001
Occupational Health and Safety Management
CERTIFIED

