

Classico Tree Grille BX02 CLQ

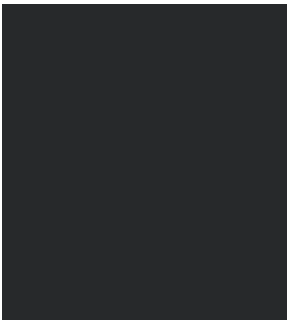


Standard Unit Dimensions:

Outside measurement:
1230mm x 1230mm

Tree grille thickness: 40mm

Colours/Finishes:



RAL 9011

The colours shown are a guide only.
Please check a colour chart to see the
actual colour.

Product Information

Part of the MeierGuss range the Tree Grilles are specifically designed for loadbearing applications.

Features

- 50kN rating
- 2 covered irrigation holes as standard
- Grille Finish - Water Based Coating Black RAL 9011
- Fully Welded Galvanized Frame
- Frame Finish - Hot Dipped Galvanised (Unpainted)

Materials Used

- Cast Iron

Options

- KTL - Cathodic Immersion Coating to Grille - RAL 9011
- Other colours are available
- Other sizes available - 1480mm x 1480mm, 1780mm x 1780mm & 1980mm x 1980mm
- Also available as a round tree grille

Broxap Limited, Rowhurst Industrial Estate, Chesterton, Newcastle-under-Lyme, Staffordshire, ST5 6BD T: 01782 564411 E: info@broxap.com W: www.broxap.com



ISO 9001
Quality
Management
Systems
CERTIFIED

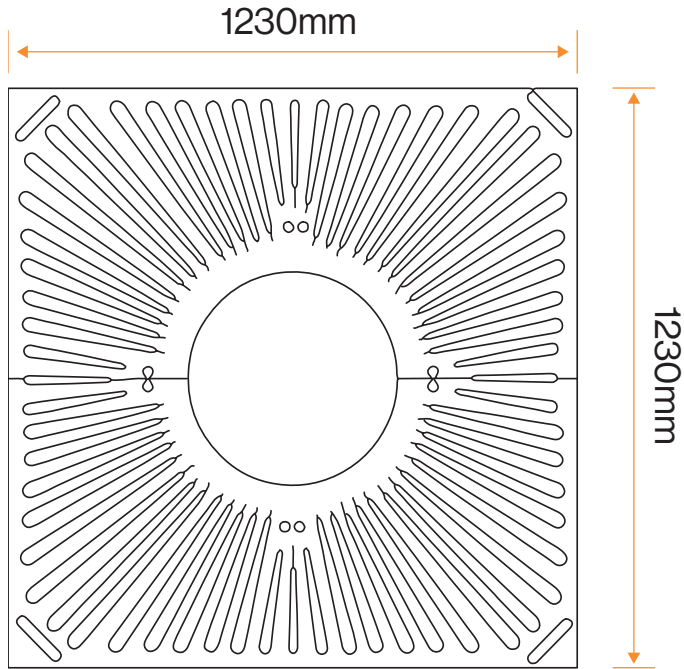
ISO 14001
Environmental
Management
CERTIFIED

ISO 45001
Occupational
Health and Safety
Management
CERTIFIED



Classico Tree Grille
BX02 CLQ

Diagram

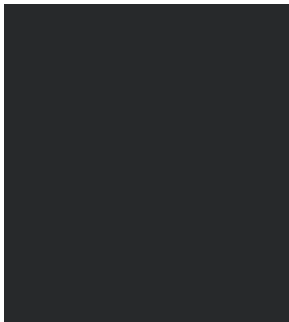


Fixing

Standard Unit Dimensions:

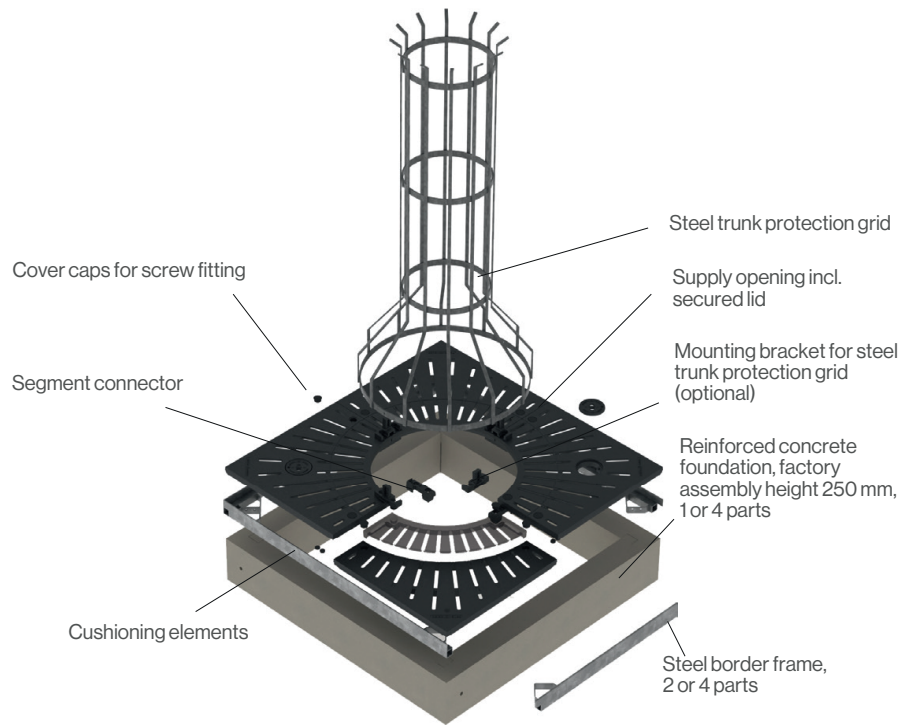
Outside measurement:
 1230mm x 1230mm
 Tree grille thickness: 40mm

Colours/Finishes:



RAL 9011

The colours shown are a guide only.
 Please check a colour chart to see the actual colour.



Broxap Limited, Rowhurst Industrial Estate, Chesterton, Newcastle-under-Lyme, Staffordshire, ST5 6BD T: 01782 564411 E: info@broxap.com W: www.broxap.com



ISO 9001
 Quality Management Systems
 CERTIFIED

ISO 14001
 Environmental Management
 CERTIFIED

ISO 45001
 Occupational Health and Safety Management
 CERTIFIED

