



Standard Unit Dimensions:

Width: 1750mm
Height: 1570mm

Length with Capacities:

4100mm

Colours/Finishes:

Galvanised Only	RAL 9006 White Aluminium	RAL 7016 Anthracite Grey
BS 4800 10 A 07 Nimbus Grey	RAL 3020 Traffic Red	RAL 9005 Jet Black
BS 4800 14 C 39 Holly Green	RAL 1023 Traffic Yellow	BS 4800 00 A 05 Goose Grey
RAL 5015 Mid Blue	RAL 5013 Dark Blue	RAL 9016 Traffic White

The colours shown are a guide only. Please check a colour chart to see the actual colour.

Product Information

The Regal Junior Cycle Shelter is a fixed base shelter designed for junior cycles. This junior cycle shelter is perfect for KS1 & 2. Designed for junior cycles, and manufactured with a robust design with vandal resistant features, this cycle shelter is the perfect addition to any school playground.

Features

- Robust tough construction
- Vandal resistant features
- Load bearing purlins
- Delivered flat packed

Materials Used

- Welded end frames and purlin section made from heavy-duty box section assembled with anti-tamper high strength bolts

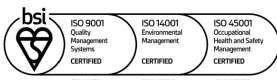
Finish Options

- Hot-Dip Galvanised to BS EN ISO 1461:2009
- Hot-Dip Galvanised & Polyester Power Coated 60mm-120mm dft
- Hot-Dip Galvanised with Duplex (Zinc Coated) Powder Coating (coastal) 180-240 overall dft

Weather Resistance

Cladding is UV Stabilised
Wind resistant to 23m/s

Broxap Limited, Rowhurst Industrial Estate, Chesterton, Newcastle-under-Lyme, Staffordshire, ST5 6BD T: 01782 564411 E: info@broxap.com W: www.broxap.com



Regal Junior Cycle Shelter BXMW/RGJ

Fire Resistance

Cladding is fire tested to EN ISO 11925-2

Guarantees, Warranties, Design-Life and Life-Expectancies

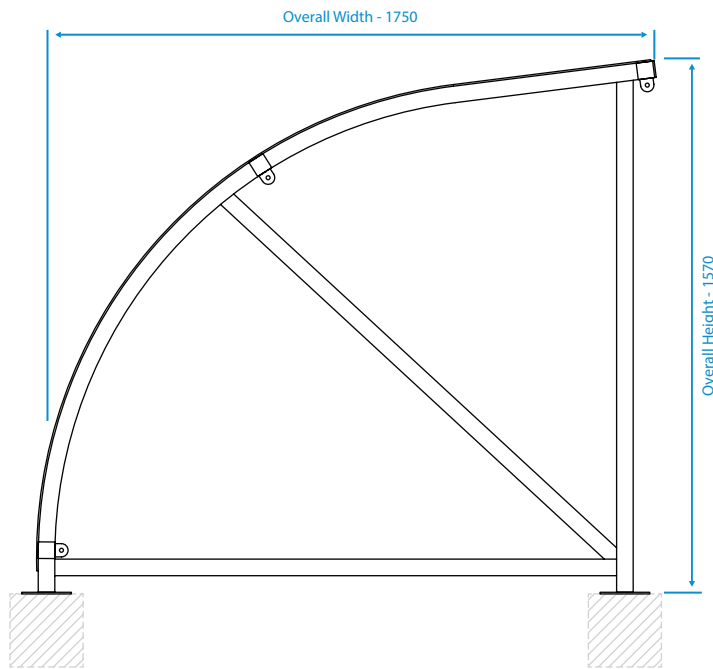
- 25 year structural guarantee*
- 34 year (min) life expectancy for Hot Dip Galvanizing
- 8-10 year life expectancy on standard powder coatings
- 10-15 year life expectancy on Duplex (Zinc Coated) powder coatings
- 10 years' manufacturers guarantees* on cladding material(s)
- 10 years' warranty* on material (only)
- 12 months' warranty* on parts & labour

*Maintenance and other qualifying criteria apply

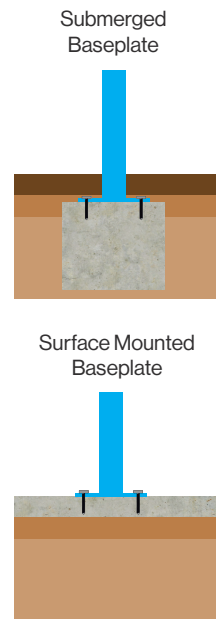
Options

- Internal lighting
- Polyester powder coated to a standard colour
- Full Installation Service

Diagram



Installation



Standard Unit Dimensions:

Width: 1750mm
Height: 1570mm

Length with Capacities:

4100mm

Colours/Finishes:

The colours shown are a guide only.
Please check a colour chart to see the actual colour.

Broxap Limited, Rowhurst Industrial Estate, Chesterton, Newcastle-under-Lyme, Staffordshire, ST5 6BD T: 01782 564411 E: info@broxap.com W: www.broxap.com

