

Edinburgh PU Bollard BXP1646-RT



Standard Unit Dimensions:

Diameter: 150mm
Height: 735mm
Root Length: 325mm
Weight: 16kg

Colours/Finishes:

RAL 9005 Jet Black	RAL 9016 Traffic White	RAL 7016 Anthracite Grey
RAL 5013 Colbalt Blue	BS 4800 20 C 40 Duchess Blue	BS 4800 00 A 05 Goose Grey
RAL 6005 Green	BS 4800 14 C 39 Holly Green	RAL 5015 Sky Blue
RAL 3020 Traffic Red	RAL 1023 Traffic Yellow	

The colours shown are a guide only.
Please check a colour chart to see the actual colour.

Product Information

Contemporary robust duracast™ polyurethane (PU) bollard with spherical top.

Features

- Duracast™ Polyurethane (PU) bollard
- Available in different sizes
- Spherical Top
- Available in a range of colours

Materials Used

- Duracast™ Polyurethane

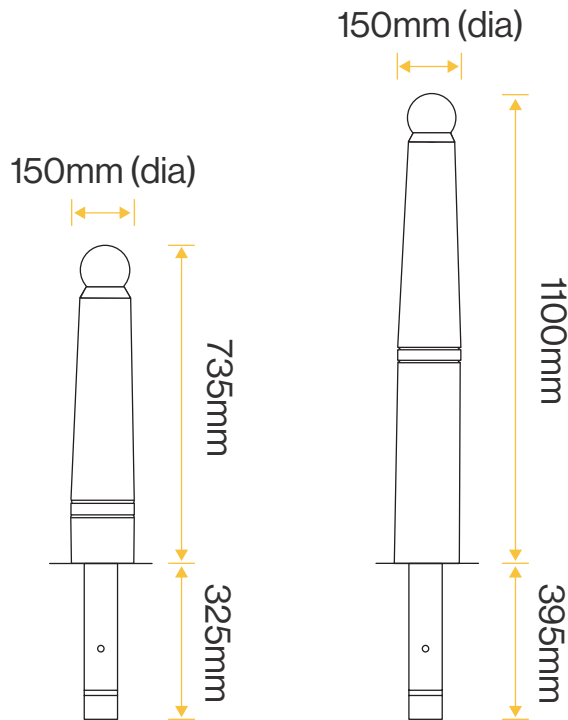
Options

- Root, base plate or removable fixing
- 'Anti-ram' version
- Available in cast iron
- Decorative highlighting (gold as standard, other colours available on request)
- Reflective Panel
- Tall version available (BXP1646A) 1100mm high

Broxap Limited, Rowhurst Industrial Estate, Chesterton, Newcastle-under-Lyme, Staffordshire, ST5 6BD T: 01782 564411 E: info@broxap.com W: www.broxap.com



Diagram



Standard Version

Tall Version

Standard Unit Dimensions:

Diameter: 150mm
Height: 735mm
Root Length: 325mm
Weight: 16kg

Colours/Finishes:

RAL 9005 Jet Black	RAL 9016 Traffic White	RAL 7016 Anthracite Grey
RAL 5013 Colbalt Blue	BS 4800 20 C 40 Duchess Blue	BS 4800 00 A 05 Goose Grey
RAL 6005 Green	BS 4800 14 C 39 Holly Green	RAL 5015 Sky Blue
RAL 3020 Traffic Red	RAL 1023 Traffic Yellow	

The colours shown are a guide only. Please check a colour chart to see the actual colour.

Installation

Standard Root Fixing

Surface Mounted Baseplate

Removable Socket Fixing

