

## Hoop Barrier BX14/HOOP



### Standard Unit Dimensions:

Height: 800mm  
Width: 480mm  
Depth: 42mm

### Colours/Finishes:



Galvanised Only Finish

### Polyester Powder Coat Colours:

RAL 9005	RAL 9016	RAL 7016
Jet Black	Traffic White	Anthracite Grey

RAL 5013	BS 4800 20 C 40	BS 4800 00 A 05
Colbalt Blue	Duchess Blue	Goose Grey

RAL 6005	BS 4800 14 C 39	RAL 5015
Green	Holly Green	Sky Blue

RAL 3020	RAL 1023
Traffic Red	Traffic Yellow

The colours shown are a guide only. Please check a colour chart to see the actual colour.

## Product Information

Our hoop barriers are the ideal product to help secure site perimeters and control vehicular access.

The barriers can also be used for securing cycles and motorcycles, marking boundaries and protecting entrances and exits. A variety of sizes are available and can be designed to meet your specific requirements.

Static hoops can be located strategically on garage forecourt developments and perimeters to form a physical deterrent to potential ram-raiders or configured in numerous other applications such as trolley bays.

## Features

- Finish: Galvanised to BS EN ISO 1461
- Root fixed as standard
- Variety of sizes available

## Materials Used

- Galvanised steel or Stainless Steel

## Options

- Also available in stainless steel
- Available with or without a crossbar
- can be supplied with adapted uprights with sockets to grant authorised removal.
- Finishing: Galvanised only or Galvanised and polyester powder coated (assumed black, but available in most RAL/BS colours)
- Other sizes available: 650mm(w) x 800mm(h) x 48mm(d), 1200mm(w) x 800mm(h) x 48mm(d), 1500mm(w) x 560mm(h) x 60mm(d), 1500mm(w) x 560mm(h) x 75mm(d) & 1500mm(w) x 800mm(h) x 48mm(d)

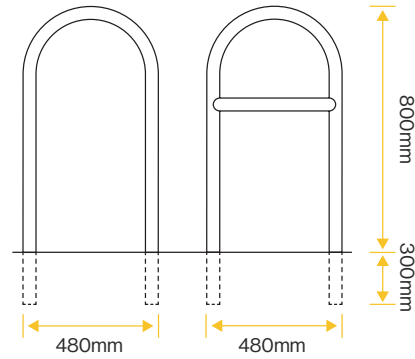
Broxap Limited, Rowhurst Industrial Estate, Chesterton, Newcastle-under-Lyme, Staffordshire, ST5 6BD T: 01782 564411 E: info@broxap.com W: www.broxap.com



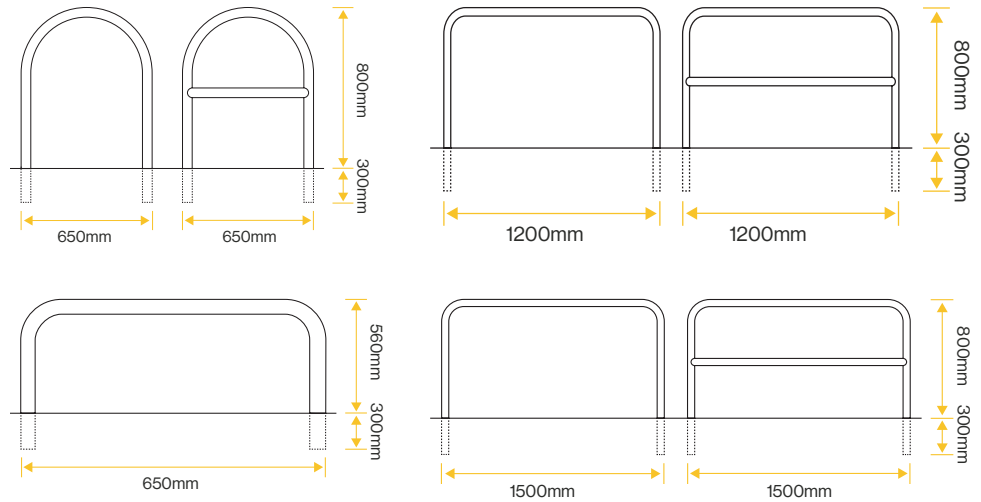
## Hoop Barrier BX14/HOOP

### Diagrams

Standard Dimensions:



Other sizes available:



#### Standard Unit Dimensions:

Height: 800mm  
Width: 480mm  
Depth: 42mm

#### Colours/Finishes:



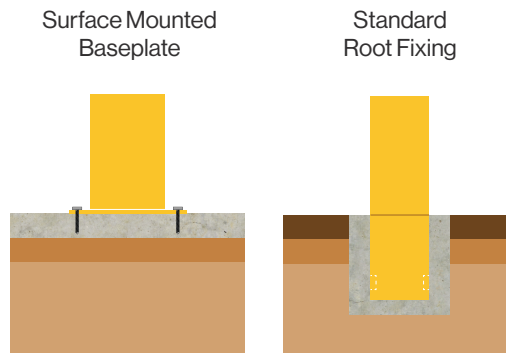
Galvanised Only Finish

#### Polyester Powder Coat Colours:

RAL 9005 Jet Black	RAL 9016 Traffic White	RAL 7016 Anthracite Grey
RAL 5013 Colbalt Blue	BS 4800 20 C 40 Duchess Blue	BS 4800 00 A 05 Goose Grey
RAL 6005 Green	BS 4800 14 C 39 Holly Green	BS 4800 18 B 25 Admiral Grey
RAL 5015 Sky Blue	RAL 3020 Traffic Red	RAL 1023 Traffic Yellow

The colours shown are a guide only.  
Please check a colour chart to see the actual colour.

### Installation



Broxap Limited, Rowhurst Industrial Estate, Chesterton, Newcastle-under-Lyme, Staffordshire, ST5 6BD T: 01782 564411 E: info@broxap.com W: www.broxap.com

