

Rainbow Picnic Bench BX17 1007



Standard Unit Dimensions:

Length: 1500mm
 Width: 1150mm
 Height: 645mm
 Seat Height: 375mm
 Table Top Width: 495mm

Colours/Finishes:



Green



Red



Yellow



Blue

The colours shown are a guide only.
 Please check a colour chart to see the actual colour.

Product Information

A children's picnic bench that brings a splash of rainbow colour to the great outdoors. Manufactured using treated softwood, the Rainbow Picnic Bench is based on a traditional A-frame design. Strong and durable.

Features

- Junior wooden picnic bench
- Available in blue, red, yellow or green
- Planed treated softwood
- Supplied flat packed as standard

Materials Used

- Treated Softwood

Options

- Available in a range of colours
- Base plated or L- bracket surface fixing

Broxap Limited, Rowhurst Industrial Estate, Chesterton, Newcastle-under-Lyme, Staffordshire, ST5 6BD T: 01782 564411 E: info@broxap.com W: www.broxap.com



ISO 9001
Quality Management Systems
CERTIFIED

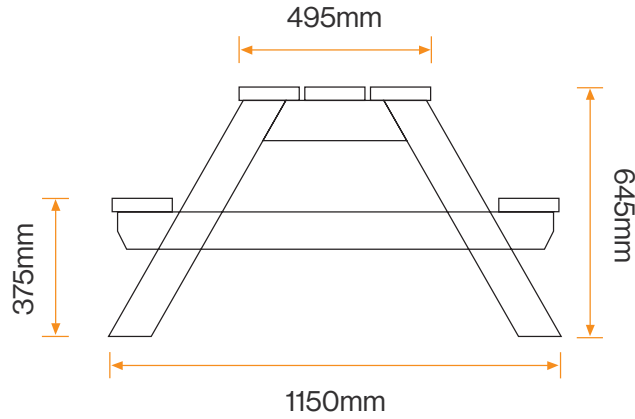
ISO 14001
Environmental Management
CERTIFIED

ISO 45001
Occupational Health and Safety Management
CERTIFIED



Rainbow Picnic Bench BX17 1007

Diagram



Installation

Surface Mounted
Picnic Bench

L-Bracket
Surface Fixing



Standard Unit Dimensions:

Length: 1500mm
Width: 1150mm
Height: 645mm
Seat Height: 375mm
Table Top Width: 495mm

Colours/Finishes:



Green



Red



Yellow



Blue

The colours shown are a guide only.
Please check a colour chart to see the
actual colour.

Broxap Limited, Rowhurst Industrial Estate, Chesterton, Newcastle-under-Lyme, Staffordshire, ST5 6BD T: 01782 564411 E: info@broxap.com W: www.broxap.com



ISO 9001
Quality
Management
Systems
CERTIFIED

ISO 14001
Environmental
Management
CERTIFIED

ISO 45001
Occupational
Health and Safety
Management
CERTIFIED

