

Springfield Picnic Bench BX17 4015



Standard Unit Dimensions:

Length: 1800mm
Width: 1500mm
Height: 785mm
Seat Height: 480mm
Table Top Width: 630mm
Weight: 110kg

Colours/Finishes:



Treated Softwood



Hardwood Iroko

The colours shown are a guide only.
Please check a colour chart to see the
actual colour.

Product Information

Make the most of any outdoor area with the cost-effective, high performing Springfield Picnic Bench. This standard surface mounted unit is made from treated softwood for a high-quality finish which will suit all budgets.

Features

- Surface Mounted
- Supplied flat packed as standard

Materials Used

- Frame: Treated Softwood
- Frame: Hardwood Iroko

Options

- Can be supplied baseplated with a set of 4no L-shaped brackets for fixing
- Wheelchair options available

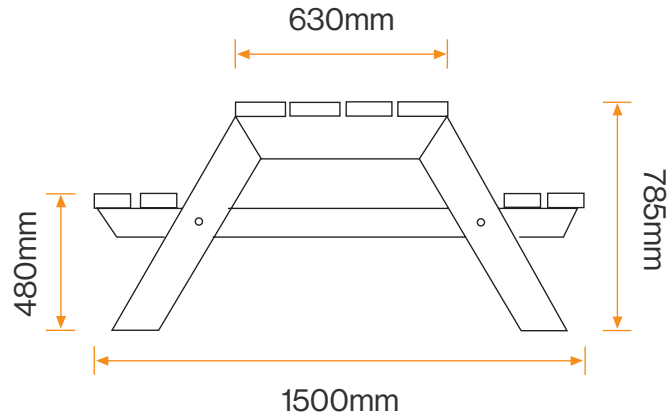
Broxap Limited, Rowhurst Industrial Estate, Chesterton, Newcastle-under-Lyme, Staffordshire, ST5 6BD T: 01782 564411 E: info@broxap.com W: www.broxap.com



Springfield Picnic Bench BX17 4015



Diagram



Installation

Surface Mounted Picnic Bench

L-Bracket Surface Fixing



Standard Unit Dimensions:

- Length: 1800mm
- Width: 1500mm
- Height: 785mm
- Seat Height: 480mm
- Table Top Width: 630mm
- Weight: 110kg

Colours/Finishes:



Treated Softwood



Hardwood Iroko

The colours shown are a guide only. Please check a colour chart to see the actual colour.

Broxap Limited, Rowhurst Industrial Estate, Chesterton, Newcastle-under-Lyme, Staffordshire, ST5 6BD T: 01782 564411 E: info@broxap.com W: www.broxap.com

