

Caerphilly Bench BX14 4280-B



Standard Unit Dimensions:

Length: 2180mm
Height: 480mm
Overall Width: 570mm
Seating Width: 390mm

Framework Colours/Finishes:

Galvanised Only Finish	Jet Black	Traffic White
Goose Grey	Cobalt Blue	Anthracite Grey
Holly Green	Green	Sky Blue
Traffic Red	Duchess Blue	Traffic Yellow

The colours shown are a guide only. Please check a colour chart to see the actual colour.

Product Information

Texture and warmth generated by the modern design of the Caerphilly Bench is complemented by a strength quality able to endure much more than daily wear and tear. Beautiful, long-lasting and functional, this contemporary bench can be enjoyed by all.

Features

- Frame is galvanised to BS EN ISO 1461:2022
- Additional option to powder coat in an RAL or BS colour
- Treated softwood timber slats
- This unit is baseplated as standard

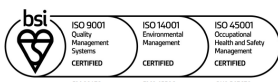
Materials Used

- Galvanised steel
- Treated softwood timber slats

Other Materials Available

- Hardwood Iroko timber slats
- Stainless steel frame

Broxap Limited, Rowhurst Industrial Estate, Chesterton, Newcastle-under-Lyme, Staffordshire, ST5 6BD T: 01782 564411 E: info@broxap.com W: www.broxap.com

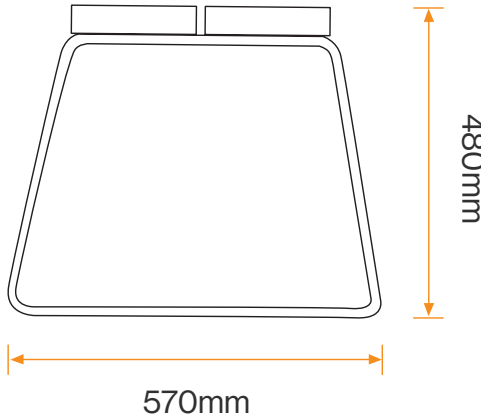


Caerphilly Bench BX14 4280-B

Options

- Armrests
- Stainless steel frame

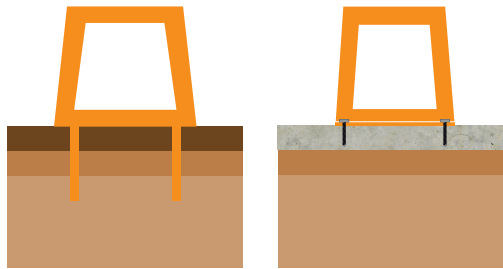
Diagram



Installation

Root/Submerged Fixing

Surface Mounted Baseplate



Standard Unit Dimensions:

Length: 2180mm
Height: 480mm
Overall Width: 570mm
Seating Width: 390mm

Framework Colours/Finishes:

Galvanised Only Finish	RAL 9005 Jet Black	RAL 9016 Traffic White
BS 4800 00 A 05 Goose Grey	RAL 5013 Cobalt Blue	RAL 7016 Anthracite Grey
BS 4800 14 C 39 Holly Green	RAL 6005 Green	RAL 5015 Sky Blue
RAL 3020 Traffic Red	BS 4800 20 C 40 Duchess Blue	RAL 1023 Traffic Yellow

The colours shown are a guide only. Please check a colour chart to see the actual colour.

Broxap Limited, Rowhurst Industrial Estate, Chesterton, Newcastle-under-Lyme, Staffordshire, ST5 6BD T: 01782 564411 E: info@broxap.com W: www.broxap.com

