

Ilford Bench BX14 1902A



Standard Unit Dimensions:

Length: 2200mm
Width: 600mm
Height: 460mm
Root Length: 300mm
Weight: 50kg

Framework Colours/Finishes:

	RAL 9005 Jet Black	RAL 9016 Traffic White
BS 4800 00 A 05 Goose Grey	RAL 5013 Cobalt Blue	RAL 7016 Anthracite Grey
BS 4800 14 C 39 Holly Green	RAL 6005 Green	RAL 5015 Sky Blue
RAL 3020 Traffic Red	BS 4800 20 C 40 Duchess Blue	RAL 1023 Traffic Yellow

The colours shown are a guide only.
Please check a colour chart to see the actual colour.

Product Information

Steel bench with individual seat positions featuring mesh seat with 4 seats as standard. Choose the configuration and colour that suits your space and designs with the highly serviceable Ilford Bench. Popular in high use areas, the steel bench has defined seat positions which come with fixed armrests.

Features

- Frame is galvanised to BS EN ISO 1461:2022
- Additional option to powder coat in an RAL or BS colour
- Various lengths available
- This unit is root fixed as standard

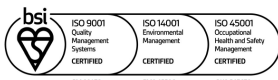
Materials Used

- Galvanised steel

Options

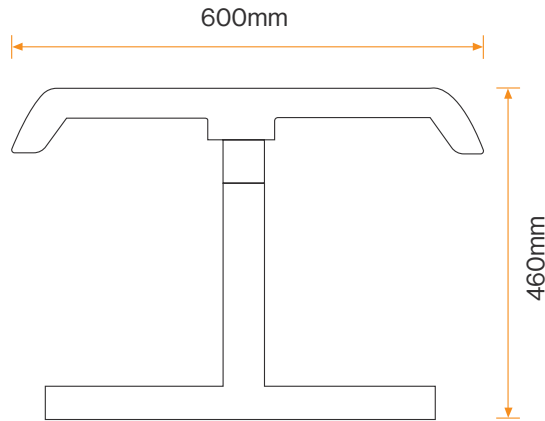
- Available either base plated (bolt to surface) or root fixed
- 2, 3, 5 and 6 'seaters' available: 2 Seater Length: 1130mm, 3 Seater Length: 1705mm, 5 Seater Length: 2735mm, 6 Seater Length: 3270mm

Broxap Limited, Rowhurst Industrial Estate, Chesterton, Newcastle-under-Lyme, Staffordshire, ST5 6BD T: 01782 564411 E: info@broxap.com W: www.broxap.com



Ilford Bench BX14 1902A

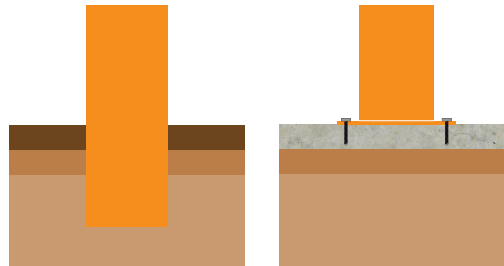
Diagram



Installation

Root/Submerged Fixing

Surface Mounted Baseplate



Standard Unit Dimensions:

Length: 2200mm
 Width: 600mm
 Height: 460mm
 Root Length: 300mm
 Weight: 50kg

Framework Colours/Finishes:

 Galvanised Only Finish	 RAL 9005 Jet Black	 RAL 9016 Traffic White
 BS 4800 00 A 05 Goose Grey	 RAL 5013 Cobalt Blue	 RAL 7016 Anthracite Grey
 BS 4800 14 C 39 Holly Green	 RAL 6005 Green	 RAL 5015 Sky Blue
 RAL 3020 Traffic Red	 BS 4800 20 C 40 Duchess Blue	 RAL 1023 Traffic Yellow

The colours shown are a guide only.
 Please check a colour chart to see the actual colour.

Broxap Limited, Rowhurst Industrial Estate, Chesterton, Newcastle-under-Lyme, Staffordshire, ST5 6BD T: 01782 564411 E: info@broxap.com W: www.broxap.com

