

## Parklands Economy Seat BX14 1901-RT



### Standard Unit Dimensions:

Length: 1800mm  
Width: 520mm  
Height: 820mm  
Root Length: 300mm  
Weight: 60kg

### Framework Colours/Finishes:

	<b>RAL 9005</b> Jet Black	<b>RAL 9016</b> Traffic White
<b>BS 4800 00 A 05</b> Goose Grey	<b>RAL 5013</b> Cobalt Blue	<b>RAL 7016</b> Anthracite Grey
<b>BS 4800 14 C 39</b> Holly Green	<b>RAL 6005</b> Green	<b>RAL 5015</b> Sky Blue
<b>RAL 3020</b> Traffic Red	<b>BS 4800 20 C 40</b> Duchess Blue	<b>RAL 1023</b> Traffic Yellow

The colours shown are a guide only. Please check a colour chart to see the actual colour.

### Product Information

With a solid, straightforward design, the Parklands Economy Seat is a staple of many landscaping schemes. It features a simple steel seat and backrest, in a quality construction which is finished with a single-colour powder coating.

### Features

- Frame is galvanised to BS EN ISO 1461:2022
- Powder coated in a single Broxap RAL or BS colour
- This unit is root fixed as standard

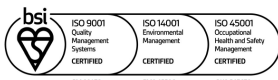
### Materials Used

- Galvanised steel

### Options

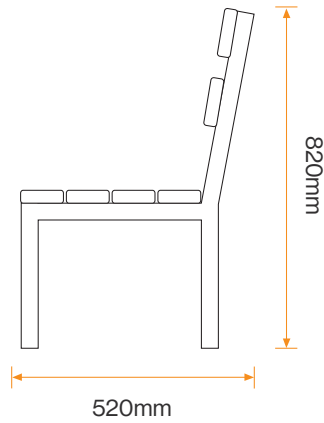
- Available root fixed or base plated
- Available in a range of colours

Broxap Limited, Rowhurst Industrial Estate, Chesterton, Newcastle-under-Lyme, Staffordshire, ST5 6BD T: 01782 564411 E: info@broxap.com W: www.broxap.com



## Parklands Economy Seat BX14 1901-RT

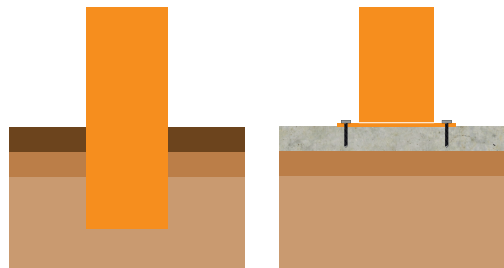
### Diagram



### Installation

Root/Submerged Fixing

Surface Mounted Baseplate



#### Standard Unit Dimensions:

Length: 1800mm  
Width: 520mm  
Height: 820mm  
Root Length: 300mm  
Weight: 60kg

#### Framework Colours/Finishes:

Galvanised Only Finish	Jet Black	Traffic White
Goose Grey	Cobalt Blue	Anthracite Grey
Holly Green	Green	Sky Blue
Traffic Red	Duchess Blue	Traffic Yellow

The colours shown are a guide only. Please check a colour chart to see the actual colour.

Broxap Limited, Rowhurst Industrial Estate, Chesterton, Newcastle-under-Lyme, Staffordshire, ST5 6BD T: 01782 564411 E: info@broxap.com W: www.broxap.com

