

## Derby Richmond Recycling Bin - Mk2 BX45G 2572-MK2



### Standard Unit Dimensions:

Height: 1120mm  
Width: 570mm  
Depth: 565mm  
Capacity: 120 Litres

### Colours/Finishes:

RAL 6005 Moss Green	RAL 7016 Anthracite Grey	RAL 9005 Jet Black
RAL 9006 White Aluminium	RAL 5015 Sky Blue	RAL 5002 Ultramarine Blue
BS 4800 10 A 07 Nimbus Grey	RAL 3020 Traffic Red	RAL 1023 Traffic Yellow
BS 4800 14 C 39 Holly Green		

The colours shown are a guide only. Please check a colour chart to see the actual colour.

## Product Information

The Richmond recycling bin is now available with larger and high visibility waste indicator panels ensuring your environmental message is clear to the user. Available in 120, 240, 360 litre versions, the Richmond Mk2 can be built to both an internal and external specification.

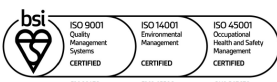
## Features

- Capacity: 120, 240, 360 litres
- 2mm galvanized steel with a heavy duty front opening door
- 10mm galvanized steel base
- Security lock
- Polyester powder coated to BS EN 6497
- Wheelie bins not supplied
- 20mm heavy duty stainless steel pivot hinge
- Stainless steel slam lock mechanism
- Hexagonal key operated heavy duty lock
- Angled litter direction plates
- Fully refurbishable
- Apertures can be interchanged to accept different types of recyclable materials e.g. paper, glass, cans etc.
- Any combination of graphics to identify waste products. e.g. cans, paper, glass bottles, plastic bottles, mixed waste, etc

## Materials Used

- 2mm galvanised steel
- 10mm galvanised steel base

Broxap Limited, Rowhurst Industrial Estate, Chesterton, Newcastle-under-Lyme, Staffordshire, ST5 6BD T: 01782 564411 E: info@broxap.com W: www.broxap.com



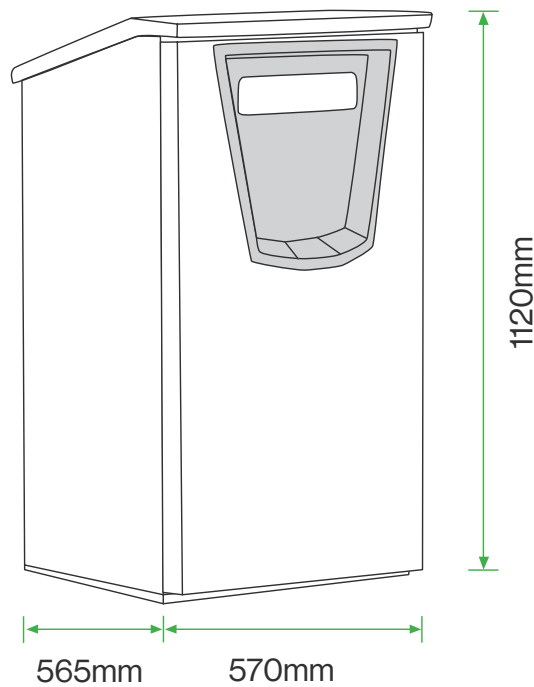
## Derby Richmond Recycling Bin - Mk2 BX45G 2572-MK2

### Guarantees & Warranties

- 12 Year Anti-Perforation Warranty\*
- 12 Year Galvanised Steel Base Warranty\*
- 2 Year Parts & Labour Guarantee\*

\*Maintenance and other qualifying criteria apply

### Diagram



#### Standard Unit Dimensions:

Height: 1120mm  
Width: 570mm  
Depth: 565mm  
Capacity: 120 Litres

#### Colours/Finishes:

RAL 6005 Moss Green	RAL 7016 Anthracite Grey	RAL 9005 Jet Black
RAL 9006 White Aluminium	RAL 5015 Sky Blue	RAL 5002 Ultramarine Blue
BS 4800 10 A 07 Nimbus Grey	RAL 3020 Traffic Red	RAL 1023 Traffic Yellow
BS 4800 14 C 39 Holly Green		

The colours shown are a guide only.  
Please check a colour chart to see the actual colour.

Broxap Limited, Rowhurst Industrial Estate, Chesterton, Newcastle-under-Lyme, Staffordshire, ST5 6BD T: 01782 564411 E: info@broxap.com W: www.broxap.com

