

## Vanguard Internal Recycling Bin BX45 3300-165

**broxap**<sup>®</sup>  
litter bins & recycling units



### Standard Unit Dimensions:

Height: 860mm  
Width: 1000mm  
Depth: 430mm  
Capacity: 165 Litres

### Colours/Finishes:

RAL 6005 Moss Green	RAL 7016 Anthracite Grey	RAL 9005 Jet Black
RAL 9006 White Aluminium	RAL 5015 Sky Blue	RAL 5002 Ultramarine Blue
BS 4800 10 A 07 Nimbus Grey	RAL 3020 Traffic Red	RAL 1023 Traffic Yellow
BS 4800 14 C 39 Holly Green		

The colours shown are a guide only.  
Please check a colour chart to see the actual colour.

## Product Information

Contemporary design which offers a stylish alternative to using numerous receptacles to capture your recyclable waste, where space is limited and the unit needs to form part of your environment.

## Features

- 2mm Galvanized Steel
- Capacity: 165 litres (3 x Internal galvanized liners)
- Dimensions: 860mm high x 1000mm wide x 430mm deep
- Complete with the latest vinyl logo waste streams of your choice
- Magnetic closing feature

## Materials Used

- 2mm Mild Steel

## Options

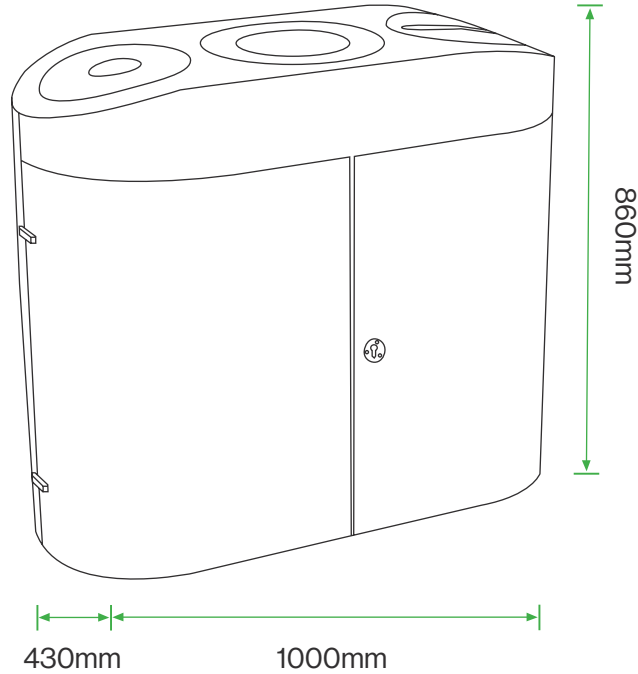
- A choice of graphics to identify waste products available
- Available in a wide range of colours

Broxap Limited, Rowhurst Industrial Estate, Chesterton, Newcastle-under-Lyme, Staffordshire, ST5 6BD T: 01782 564411 E: info@broxap.com W: www.broxap.com



## Vanguard Internal Recycling Bin BX45 3300-165

### Diagram



#### Standard Unit Dimensions:

Height: 860mm  
Width: 1000mm  
Depth: 430mm  
Capacity: 165 Litres

#### Colours/Finishes:

RAL 6005 Moss Green	RAL 7016 Anthracite Grey	RAL 9005 Jet Black
RAL 9006 White Aluminium	RAL 5015 Sky Blue	RAL 5002 Ultramarine Blue
BS 4800 10 A 07 Nimbus Grey	RAL 3020 Traffic Red	RAL 1023 Traffic Yellow
BS 4800 14 C 39 Holly Green		

The colours shown are a guide only.  
Please check a colour chart to see the actual colour.

Broxap Limited, Rowhurst Industrial Estate, Chesterton, Newcastle-under-Lyme, Staffordshire, ST5 6BD T: 01782 564411 E: info@broxap.com W: www.broxap.com

