

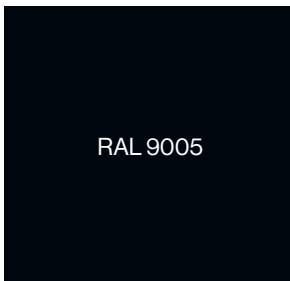
## Cresswell Curved Litter Bin BXMT/444C/BP-GL



### Standard Unit Dimensions:

Height: 1170mm  
Diameter: 560mm  
Length: 590mm  
Capacity: 90 Litre  
Weight: 18kg

### Colours/Finishes:



Jet Black

The colours shown are a guide only.  
Please check a colour chart to see the  
actual colour.

### Product Information

The Cresswell Curved Litter Bin features a robust and stylish twin skin body with an anti-vandal locking front door. It has been designed for use as a single unit or can offer dual waste streams with two units sitting back-to-back.

### Features

- Twin skin body
- Anti-vandal locking front door
- Curved front design
- Durable plastic litter bin

### Materials Used

- UV MDPE

### Options

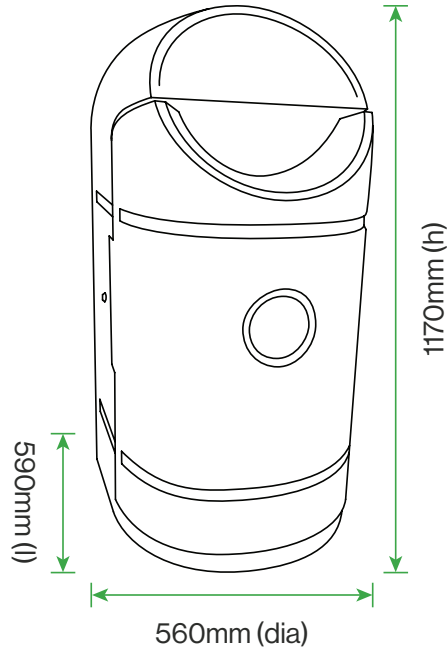
- Ashtray
- Bird Flaps
- Recycling Waste Streams Logo

Broxap Limited, Rowhurst Industrial Estate, Chesterton, Newcastle-under-Lyme, Staffordshire, ST5 6BD T: 01782 564411 E: info@broxap.com W: www.broxap.com



Cresswell Curved Litter Bin  
**BXMT/444C/BP-GL**

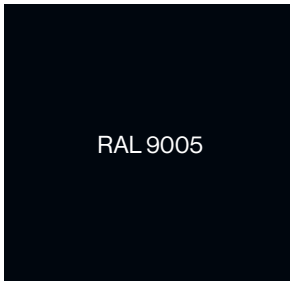
**Diagram**



**Standard Unit Dimensions:**

Height: 1170mm  
 Diameter: 560mm  
 Length: 590mm  
 Capacity: 90 Litre  
 Weight: 18kg

**Colours/Finishes:**



Jet Black

The colours shown are a guide only.  
 Please check a colour chart to see the actual colour.

Broxap Limited, Rowhurst Industrial Estate, Chesterton, Newcastle-under-Lyme, Staffordshire, ST5 6BD T: 01782 564411 E: info@broxap.com W: www.broxap.com

