

## Desford I L Bench BX12 DESFORD IL



### Standard Unit Dimensions:

Length: 3000mm  
Width: 480mm  
Height: 440mm  
Weight: 165kg

### Framework Colours/Finishes:

Dark Metallic Grey

The colours shown are a guide only.  
Please check a colour chart to see the  
actual colour.

## Product Information

Part of the NUSSER street furniture range, the Desford I L Bench is ideal for locations looking for a contemporary edge. It stands out for its obvious quality and simple yet beautiful style. With a standard FSC-certified timber finish.

## Features

- Contemporary design
- Framed by an 8mm galvanised steel plate and reinforced steel trusses

## Materials

- Frame: Galvanised mild steel, polyester powder coated in dark metallic grey
- Timber Slats: FSC<sup>®</sup> (FSC-C122338) Iroko (Kambala)
- Timber Slats: Douglas Fir Wood

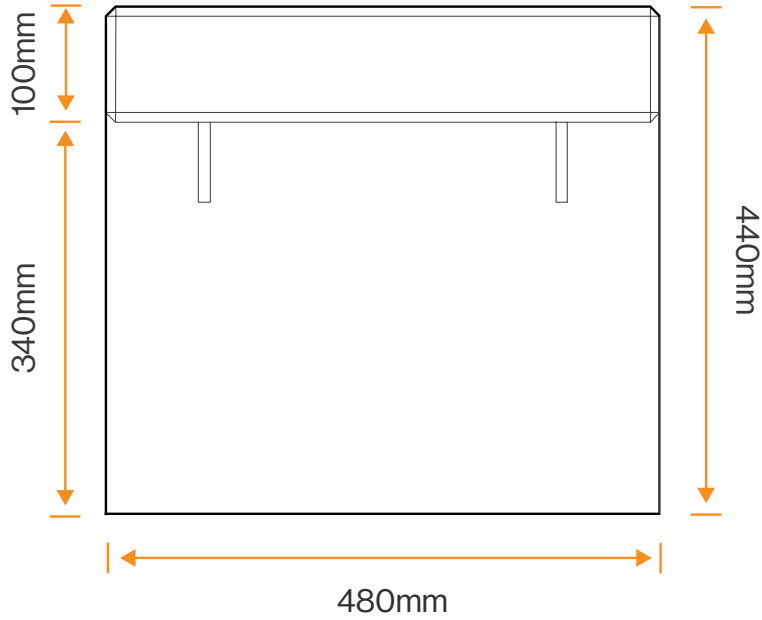
## Options

- Group arrangement is available to include two benches with a table with the same design features
- Bench is offered in different dimension up to a length of 3000mm
- Can be mounted with anchors

Broxap Limited, Rowhurst Industrial Estate, Chesterton, Newcastle-under-Lyme, Staffordshire, ST5 6BD T: 01782 564411 E: info@broxap.com W: www.broxap.com



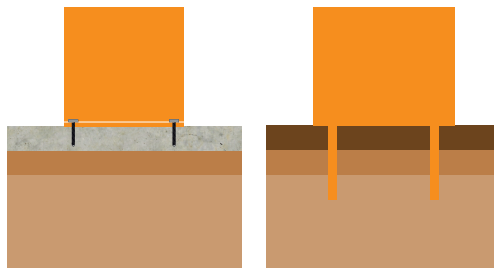
**Diagram**



**Installation**

Surface Mounted  
Baseplate

Root Fixed



**Standard Unit Dimensions:**

Length: 3000mm  
 Width: 480mm  
 Height: 440mm  
 Weight: 165kg

**Framework  
 Colours/Finishes:**



The colours shown are a guide only.  
 Please check a colour chart to see the  
 actual colour.