

Cheadle Bench BX71 6040

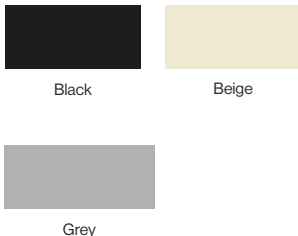


Standard Unit Dimensions:

Length: 1500mm
Width: 450mm
Depth: 450mm
Weight: 57kg

Colours/Finishes:

Standard Colours:



Black

Beige

Grey

The colours shown are a guide only.
Please check a colour chart to see the
actual colour.

Product Information

Embrace the beauty of simplicity with our Cheadle Bench. This stunning street furniture piece combines artistry with everyday use and is available in three colour finishes – all supplied fully assembled for convenience.

Features

- Constructed from durable recycled plastic
- Weatherproof
- Vandal Resistant
- Interlocking design

Materials

- Recycled Plastic

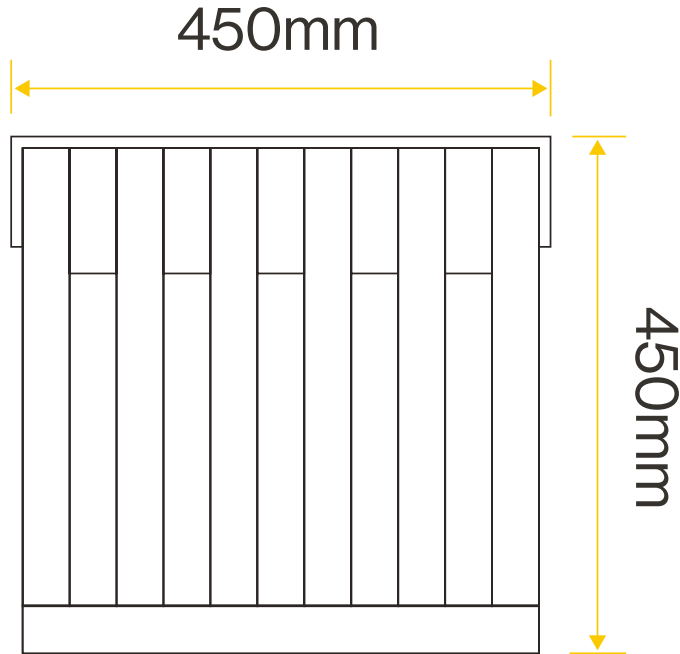
Options

- Available 1500mm or 1800mm
- Metalwork black as standard but can be powder coated upon request

Broxap Limited, Rowhurst Industrial Estate, Chesterton, Newcastle-under-Lyme, Staffordshire, ST5 6BD T: 01782 564411 E: info@broxap.com W: www.broxap.com



Diagram



Standard Unit Dimensions:

Length: 1500mm
 Width: 450mm
 Depth: 450mm
 Weight: 57kg

Colours/Finishes:

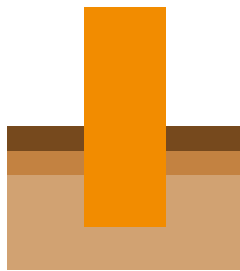
Standard Colours:



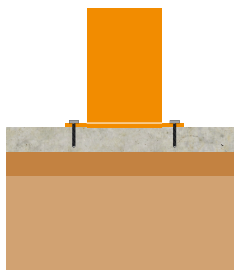
The colours shown are a guide only.
 Please check a colour chart to see the actual colour.

Installation

Root/Submerged
 Fixing



Baseplate



Broxap Limited, Rowhurst Industrial Estate, Chesterton, Newcastle-under-Lyme, Staffordshire, ST5 6BD T: 01782 564411 E: info@broxap.com W: www.broxap.com

