

## Weyburn Bench BX14 117/B-RT



### Standard Unit Dimensions:

Length: 1800mm  
Width: 570mm  
Height: 470mm  
Weight: 59kg

### Framework Colours/Finishes:

Galvanised Only Finish	RAL 9005 Jet Black	RAL 9016 Traffic White
BS 4800 00 A 05 Goose Grey	RAL 5013 Cobalt Blue	RAL 7016 Anthracite Grey
BS 4800 14 C 39 Holly Green	RAL 6005 Green	RAL 5015 Sky Blue
RAL 3020 Traffic Red	BS 4800 20 C 40 Duchess Blue	RAL 1023 Traffic Yellow

The colours shown are a guide only. Please check a colour chart to see the actual colour.

## Product Information

With its rounded edges and generous width, the Weyburn Bench is highly durable and functional. It can be manufactured to bespoke length and configuration. It is convenient and attractive with a long service life.

## Features

- Frame is galvanised to BS EN ISO 1461:2022
- Additional option to powder coat in an RAL or BS colour
- Available straight or curved
- This unit is root fixed as standard

## Materials Used

- Galvanised steel

## Options

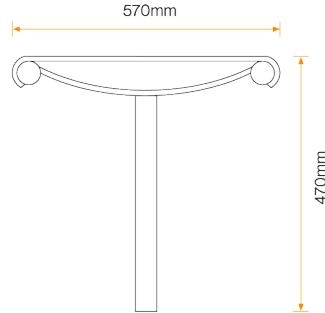
- Curved version available
- Various lengths available on request
- Root fixed or basepated

Broxap Limited, Rowhurst Industrial Estate, Chesterton, Newcastle-under-Lyme, Staffordshire, ST5 6BD T: 01782 564411 E: info@broxap.com W: www.broxap.com



## Weyburn Bench BX14 117/B-RT

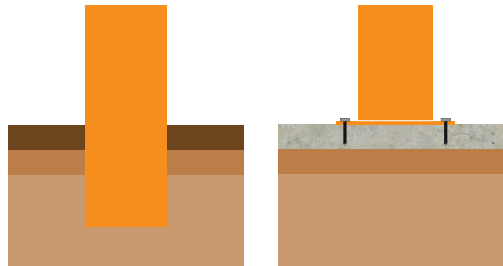
### Diagram



### Installation

Root/Submerged Fixing

Surface Mounted Baseplate



#### Standard Unit Dimensions:

Length: 1800mm  
Width: 570mm  
Height: 470mm  
Weight: 59kg

#### Framework Colours/Finishes:

Galvanised Only Finish	RAL 9005 Jet Black	RAL 9016 Traffic White
BS 4800 00 A 05 Goose Grey	RAL 5013 Cobalt Blue	RAL 7016 Anthracite Grey
BS 4800 14 C 39 Holly Green	RAL 6005 Green	RAL 5015 Sky Blue
RAL 3020 Traffic Red	BS 4800 20 C 40 Duchess Blue	RAL 1023 Traffic Yellow

The colours shown are a guide only. Please check a colour chart to see the actual colour.

Broxap Limited, Rowhurst Industrial Estate, Chesterton, Newcastle-under-Lyme, Staffordshire, ST5 6BD T: 01782 564411 E: info@broxap.com W: www.broxap.com

