

Derby Double E Recycling Bin

BX45G 2550-D-RC-E

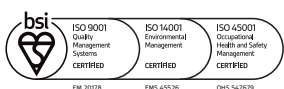
broxap[®]
street furniture



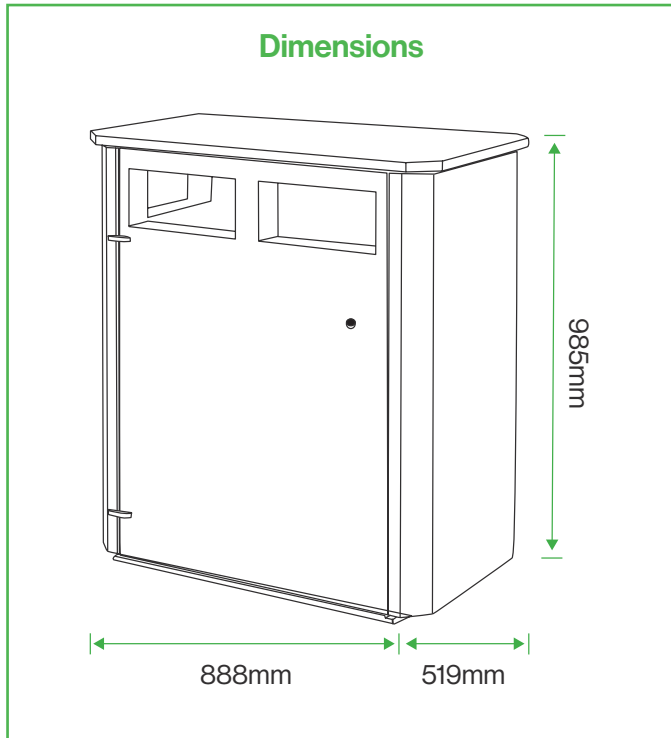
An economic version of our standard Derby Double Recycling Bin.

Features:

- 4 posting apertures
- 2mm galvanised steel with side opening door
- 4mm galvanised steel base
- Galvanised steel liner with safety top edge and 2 handles
- Vinyl waste stream logos to identify waste products
- Wide range of standard RAL/BS colour options
- PROTEX™ finish with nano-powder coating for superior corrosion protection and longer lifespan
- Heavy duty stainless steel pivot hinge
- Stainless steel slam lock mechanism
- Hex key operated heavy duty lock
- Stainless steel key hole protector supplied as standard



☎ 01782 564411
✉ info@broxap.com
🌐 www.broxap.com



Product Details

Product Name	Derby Double E Recycling Bin
Product Code	BX45G 2550-D-RC-E
Dimensions	985 x 888 x 519 mm
Capacity	240L (2 x 120L)
Materials	2mm galvanised steel 4mm galvanised steel base Stainless steel pivot hinge
Lid Types	Flat Top Pyramid Top
Ashtray Options	Ash & Gum Ashtray Square Flat Ashtray Pyramid Top Stirling Ashtray Stubbing Plate
Aperture Options	Rectangular, co-mingled, round or slot
Logo Options	Vinyl, Laser Cut or Polycarbonate Plaque
Additional Options	Polyester powder coated in any standard RAL/BS colour Bait Base A4/A3 Advertising Panels Seagull Flaps
Fixing	Bolt Down Fixing or Internal Concrete Ballast

Standard RAL/BS Colours

