

Maelor Trafflex Turvy High Security Litter Bin

BXMT/444/T

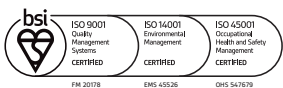
broxap[®]
street furniture



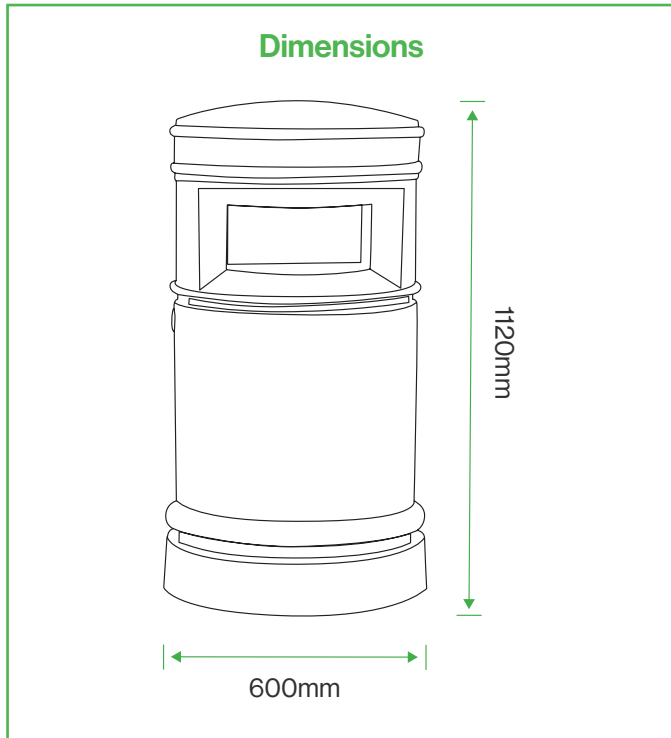
Contemporary style, robust 90 litre plastic litter bin offers an economic alternative to steel litter bins.

Features:

- Two gold vinyl tidyman logos
- Curved top galvanised frame as standard
- Steel frame supplied with base plate and fixing holes
- One piece 'lock-on' lightweight cover
- Chamfered edges to litter posting apertures ensures rubbish is directed into the liner
- Removal of outer case and liner allows cleaning of area beneath and around location of bin
- Black as standard, other colours available
- To empty lift lightweight cover over the frame using the maelor key provided



☎ 01782 564411
✉ info@broxap.com
🌐 www.broxap.com



Product Details

| | |
|----------------------------|--|
| Product Name | Maelor Trafflex Turvy High Security Litter Bin |
| Product Code | BXMT/444/T |
| Dimensions | 1120 x 600 (dia) mm |
| Capacity | 90L |
| Plastic Body Weight | 7.2kg |
| Materials | HDPE Galvanised steel frame |
| Ashtray Options | Ashtray Kidney Stub it Plate |
| Logo Options | Vinyl logo |
| Additional Options | Available in any standard RAL colour Bait Base Finger Curtains Replacement Frames Replacement Covers |
| Fixing | Bolt Down Fixing or Pre-cast concrete slab fixing |

