

# Bracknell Cycle Stand

BXMW/BRA

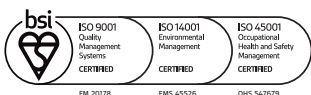
**broxap**<sup>®</sup>  
street furniture



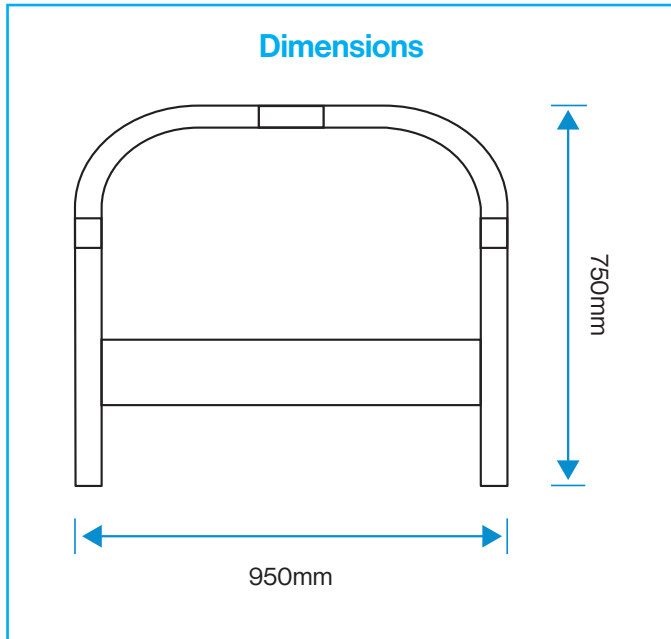
**Tubular cycle stand available with three optional bands of reflective tape.**

## Features:

- Hot dipped galvanised to BS EN ISO 1461:2022
- Four stickers are supplied as standard
- Wide range of standard RAL/BS colour options
- Optional PROTEX™ finish with nano-powder coating for superior corrosion protection and longer lifespan
- Can contribute towards gaining ENE8 credits when used in the appropriate situation, under the Code for Sustainable homes
- BREEAM and Code for Sustainable Homes Compliant



☎ 01782 564411  
✉ [info@broxap.com](mailto:info@broxap.com)  
🌐 [www.broxap.com](http://www.broxap.com)



### Product Details

<b>Product Name</b>	Bracknell Cycle Stand
<b>Product Code</b>	BXBMW/BRA
<b>Dimensions</b>	950 x 750 mm
<b>Capacity</b>	2 cycles per stand
<b>Material</b>	Galvanised steel
<b>Options</b>	Polyester powder coated in any standard RAL/BS colour Tapping bar Coloured reflective banding Grade 304/316 stainless steel Polyurethane (PU)
<b>Fixing</b>	Root fixed or base plated



### Standard RAL/BS Colours

RAL 9005	RAL 9016	RAL 9006	BS 4800 00 A 05	BS 4800 10 A 07	RAL 7016	RAL 6005
BS 4800 14 C 39	RAL 5015	RAL 5013	BS 4800 20 C 40	RAL 1023	RAL 3020	