

Thornhill Seat

BX14 3000

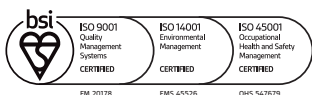
broxap[®]
street furniture



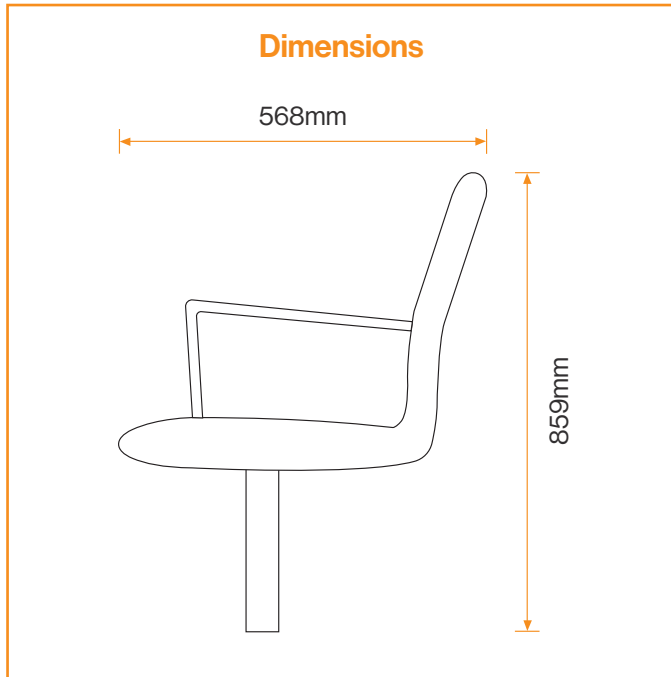
Galvanised steel framed timber seat with a contemporary elliptical shaped frame.

Features:

- Oval-profile side frames
- Made from 7 heavy duty timber slats with a comfortable 3 slatted backrest
- Frame is galvanised to BS EN ISO 1461:2022
- Wide range of standard RAL/BS colour options
- Optional PROTEX™ finish with nano-powder coating for superior corrosion protection and longer lifespan
- Available root fixed or base plated



☎ 01782 564411
✉ info@broxap.com
🌐 www.broxap.com



Product Details

Product Name	Thornhill Seat
Product Code	BX14 3000
Dimensions	1800 x 568 x 859 mm
Weight	70kg
Frame Material	Galvanised steel
Slat Materials	FSC®-certified Treated Softwood Hardwood Iroko FSC®-certified Hardwood
Options	Polyester powder coated in any standard RAL/BS colour Stainless steel frame (Grade 304 or 316) Armrests Plaque/Inscription Frame embellishment of logos or crests
Fixing	Root fixed or base plated



Standard RAL/BS Colours

RAL 9005	RAL 9016	RAL 9001	RAL 9006	BS 4800 00 A 05	BS 4800 10 A 07	RAL 7016
RAL 5021	RAL 5015	RAL 5014	RAL 5013	BS 4800 20 C 40	RAL 6005	BS 4800 14 C 39
RAL 6021	RAL 1023	RAL 3020	RAL 3009	RAL 8004	RAL 8007	

Timber Materials

FSC®-certified Treated Softwood
Hardwood Iroko FSC®-certified Hardwood