

Wardale® Cycle Shelter BXMW/WAR



Standard Unit Dimensions

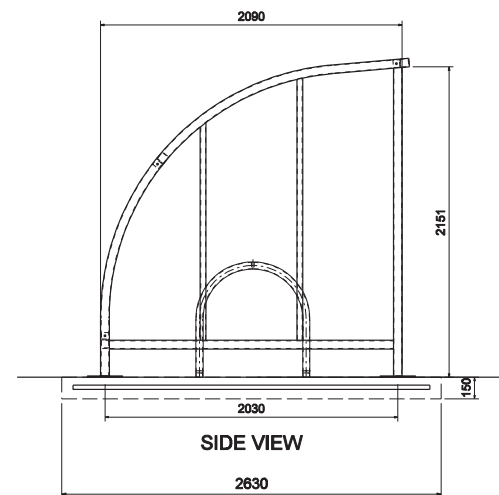
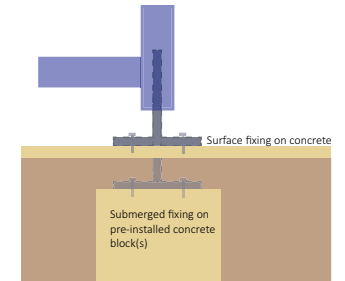
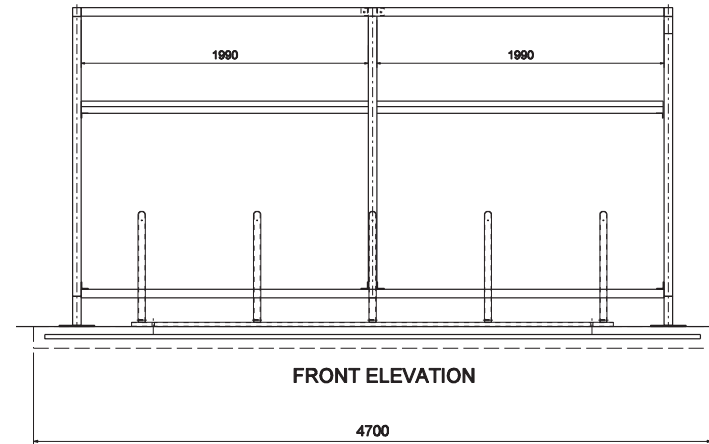
Width: 2140mm
Height: 2150mm

Length with Capacities

2000mm	4 cycles
3600mm	8 cycles
4100mm	10 cycles
5000mm	12 cycles
6000mm	14 cycles

Features

- Robust modular construction
- Load bearing purlins
- Welded end frames
- Made from heavy-duty mild steel box section
- Assembled with anti-tamper high strength bolts
- Anti-climb end frames
- Adjustable baseplates
- Hot dip galvanized to BS EN ISO 1461:2009
- Weather resistant cladding



Wardale® Cycle Shelter BXMW/WAR

Materials Used

Framework - Mild Steel
Cladding - 4 mm PETG uv
Fasteners - Zinc Plated
Cover Strips - Pre-galvanized steel flat

Finish Options (Framework)

Hot-Dip Galvanized to BS EN ISO 1461:2009
Hot-Dip Galvanized & Polyester Powder Coated 60mm-120mm dft
Hot-Dip Galvanized with Duplex (Zinc Coated) Powder Coating (coastal) 180-240 overall dft

Weather Resistance

Cladding is UV Stabilised
Wind resistant to 23m/s

Fire Resistance

Cladding is fire tested to '1Y' for BS 476

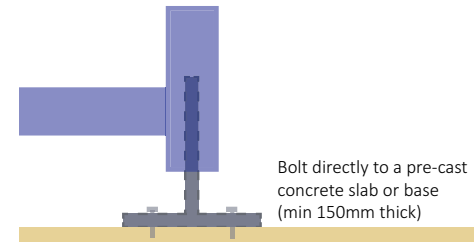
Design-Life, Guarantees & Warranties (terms apply)

25 year structural guarantee
34 year (min) life expectancy for Hot Dip Galvanizing
8-10 year life expectancy on standard powder coatings
10-15 year life expectancy on Duplex (Zinc Coated) powder coatings
10 years manufacturers guarantee on cladding material
10 year warranty on product materials
12 year warranty on parts & labour

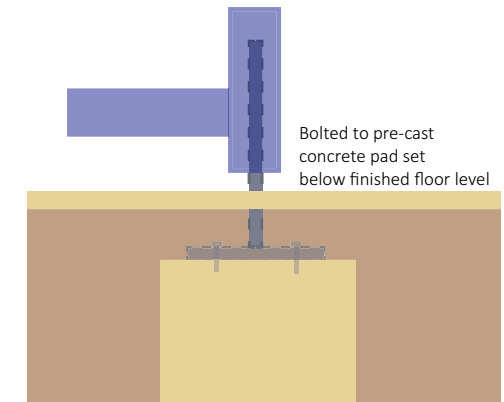
Please Note: All information on this data sheet is subject to orientation (N,S,E,W) altitude and proximity to buildings, but is sufficient for use as general/preliminary information)

Installation

Surface fixing on concrete



Submerged Fixing



Options

Steel Profile, Trapezoidal roof/rear cladding
Opal Cladding to Roof and Sides
Extended adjustable baseplates for submerged fixing
Swinging Security Gates
Sliding Security Gates
Digital Mechanical or Keyed Locks
Further anti crawl bars can be fitted dependent on surface level
Helmet Lockers
Powder Coating to a wide range of colours
LED or solar lighting
Full Installation Service
Varied Range of Cycle Racks
Varied Range of Cycle Stands

Colours/Finishes



THE COLOURS SHOWN ARE A GUIDE ONLY.
PLEASE CHECK A COLOUR CHART TO SEE THE
ACTUAL COLOUR.

