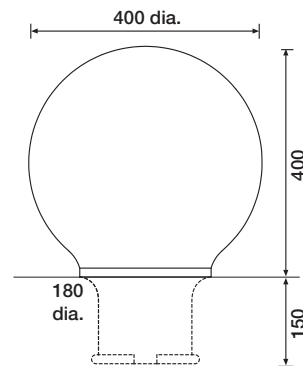


## Spherical Cast Iron Bollard BX 1502-RT



### Features

Spherical cast iron bollard  
400mm high x 400mm diameter  
43kg  
Available in a range of colours



## Spherical Cast Iron Bollard

### BX 1502-RT

#### Materials Used

Cast iron

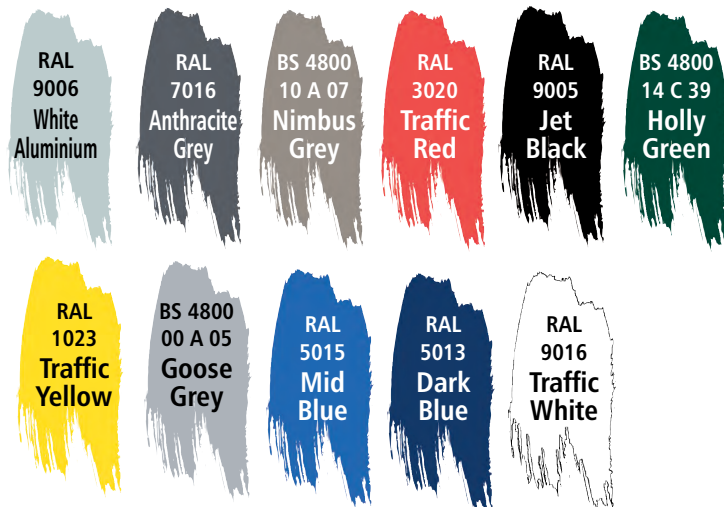
#### Other Materials Available

Anti-ram ductile iron

#### Design-Life, Guarantees & Warranties (terms apply)

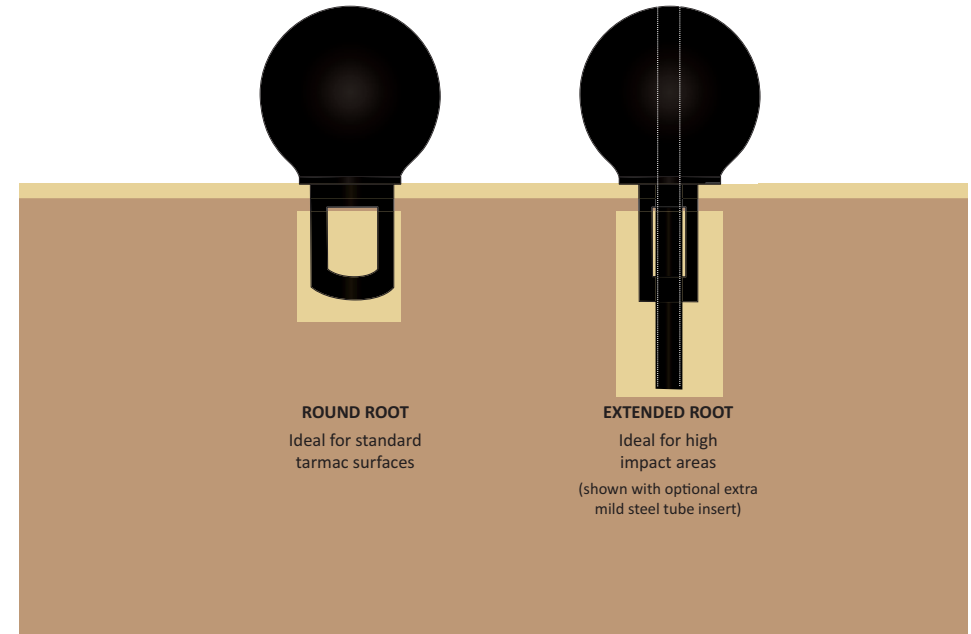
100 year cast iron guarantee

#### Colours/Finishes



THE COLOURS SHOWN ARE A GUIDE ONLY.  
PLEASE CHECK A COLOUR CHART TO SEE THE ACTUAL COLOUR.

#### Installation



#### Options

- Extended root
- Steel inserts for additional strength
- Decorative highlighting
- Custom crests and logos

