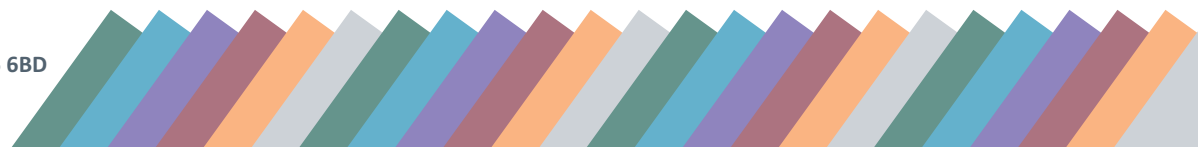
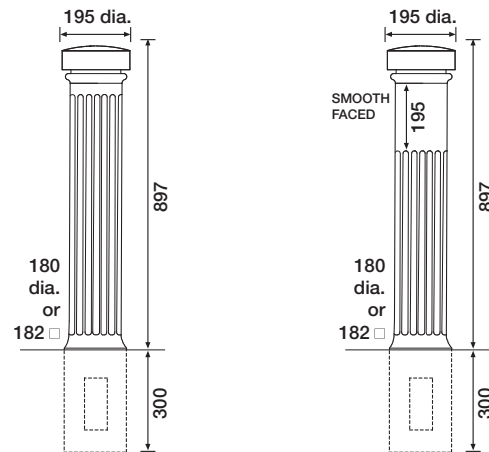


## Blackburn Cast Iron Bollard BX 1520-RT



- Features**  
Cast iron bollard  
Fluted trunk  
Pillar box top  
897mm high x 195mm diameter  
45kg  
Available in a range of colours



## Blackburn Cast Iron Bollard BX 1520-RT

### Materials Used

Cast iron

### Other Materials Available

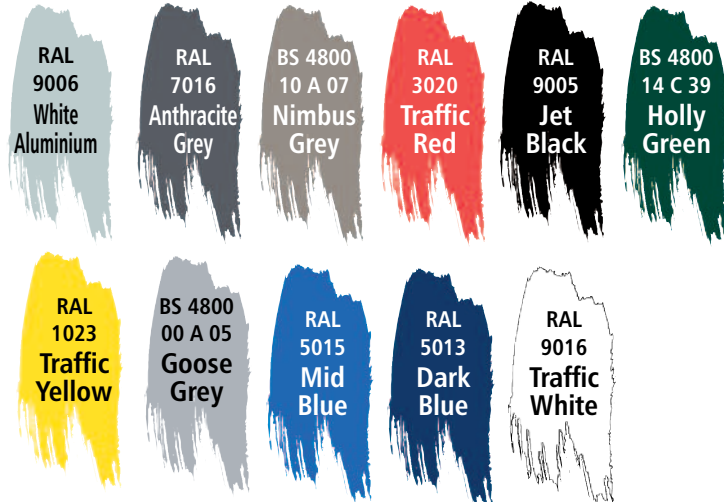
Anti-ram ductile iron

Duracast™ polyurethane (PU) - Hexham

### Design-Life, Guarantees & Warranties (terms apply)

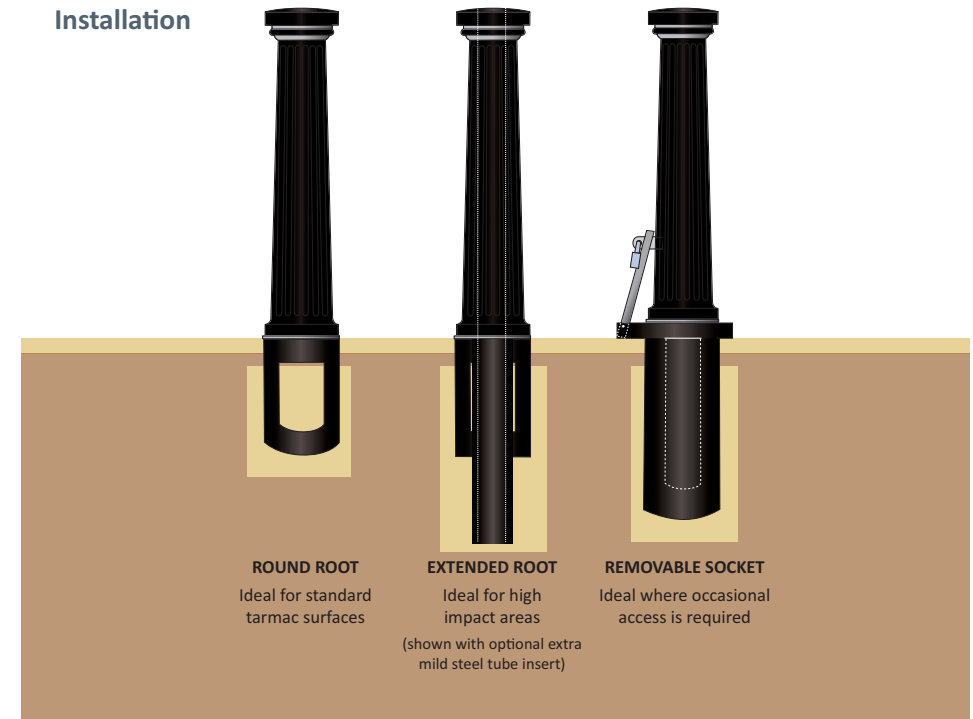
100 year cast iron guarantee

### Colours/Finishes



THE COLOURS SHOWN ARE A GUIDE ONLY.  
PLEASE CHECK A COLOUR CHART TO SEE THE ACTUAL COLOUR.

### Installation



### Options

- Removable fixing
- Extended root
- Steel inserts for additional strength
- Decorative highlighting
- Reflective banding
- Custom crests and logos
- Smooth faced version
- Cycle parking adaption