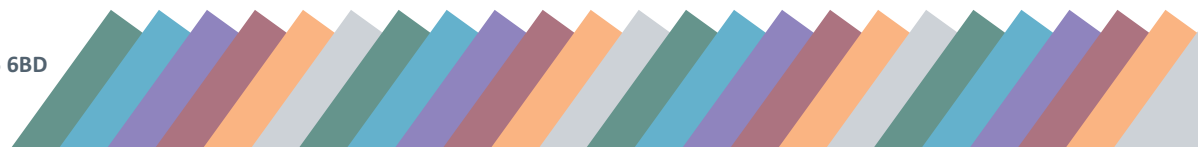
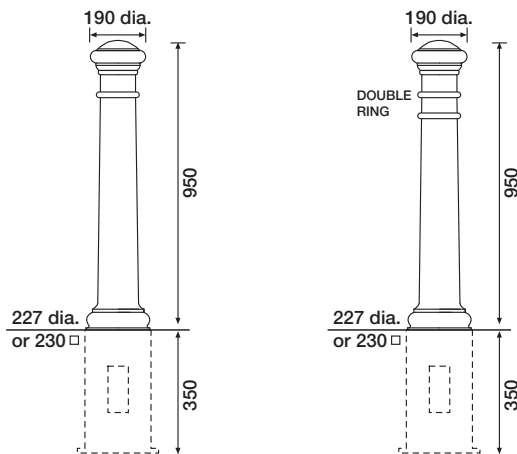


Manchester Cast Iron Bollard BX 1539-RT



- Features**
Cast iron bollard
Decorative bands
Rounded top
950mm high x 190mm diameter
42kg
Available in a range of colours



Manchester Cast Iron Bollard BX 1539-RT

Materials Used

Cast iron

Other Materials Available

Anti-ram ductile iron

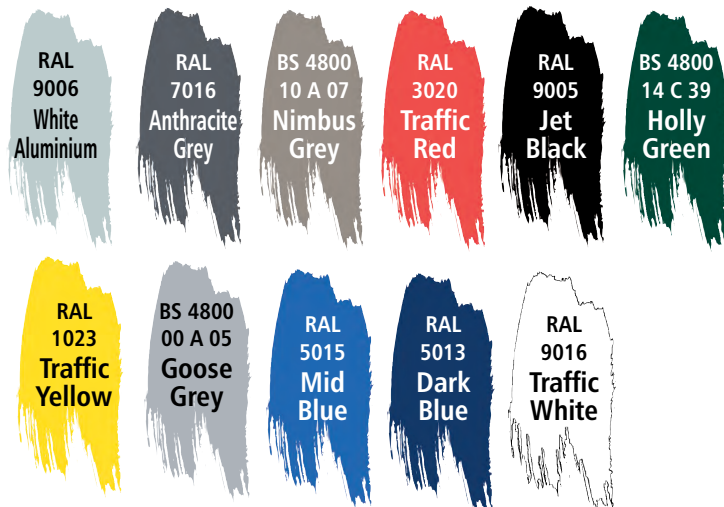
Duracast™ polyurethane (PU)

Mild steel

Design-Life, Guarantees & Warranties (terms apply)

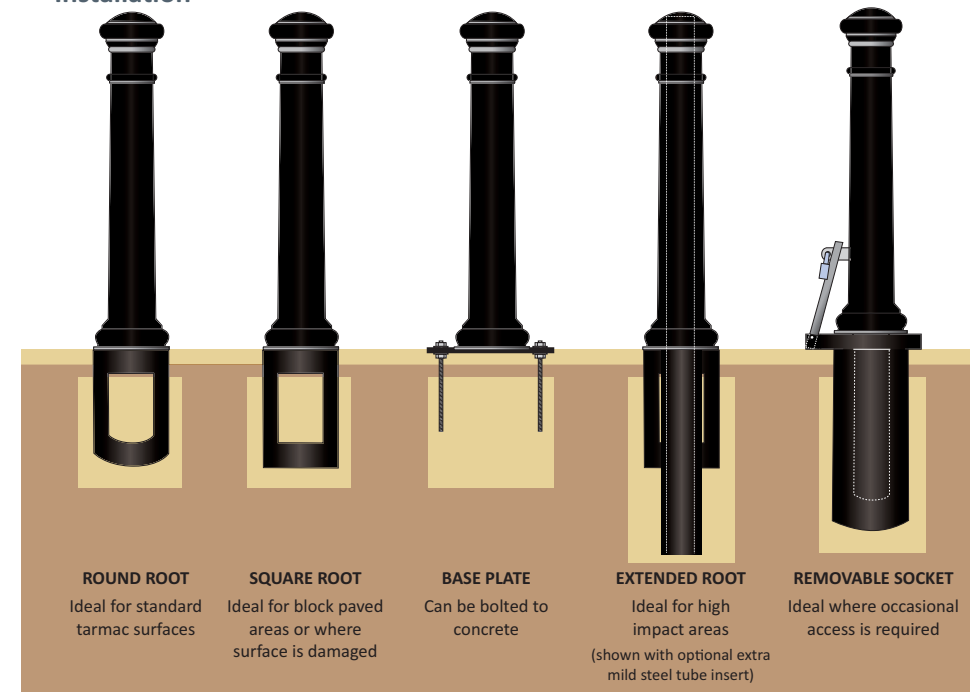
100 year cast iron guarantee

Colours/Finishes



THE COLOURS SHOWN ARE A GUIDE ONLY.
PLEASE CHECK A COLOUR CHART TO SEE THE ACTUAL COLOUR.

Installation



Options

- Root fixed (square or round)
- Base plate fixing
- Removable fixing
- Extended root
- Steel inserts for additional strength
- Double ring version
- Reflective banding
- Custom crests and logos
- Cycle parking adaption
- Flower basket version
- Post and railing conversion